

# ILVE COMMERCIAL

## MULTI-RESIDENTIAL & HOME BUILDER PRODUCT RANGE



### IVN900X 90CM CANOPY RANGE HOOD



24 MONTH  
WARRANTY



90CM  
WIDE



LED  
GLOBE



#### IVN900X CANOPY HOOD

##### FEATURES

- 3 variable speeds
- AS430 stainless steel with black or stainless steel fascia
- electronic push-button controls
- 2 x LED lights
- recirculate or duct direct
- supplied with 160cm power cord
- 150mm ducting

##### SAFETY

- Motor cut out fire protection

##### CLEANING

- Filter cleaning in warm soapy water

##### FILTERS

- aluminium baffle and mesh filters (supplied with both)

##### MOTOR

- Max. air flow (m<sup>3</sup>/h): 950 net
- Noise (dB): 58
- Twin turbine high velocity centrifugal fan, optional in-line motor is available to assist air flow

#### DETAILED INFORMATION

- Size: 90cm
- Easy installation
- 10 amps power requirement

#### OPTIONAL EXTRA

- Charcoal Filter: HXT6000A
- Extension Flue: (80cm) B-YCZ6000G-02-1
- Extension Flue: (120cm) B-YCZ6069A-02-1

Range hood extraction rate m<sup>3</sup>/hr reading is measured at 1m duct up, 1x90° C bend and 1m vertical duct

#### Standard Option - Range Hood Colour



Stainless Steel  
*Pictured*



Stainless Steel  
with Black Glass  
fascia

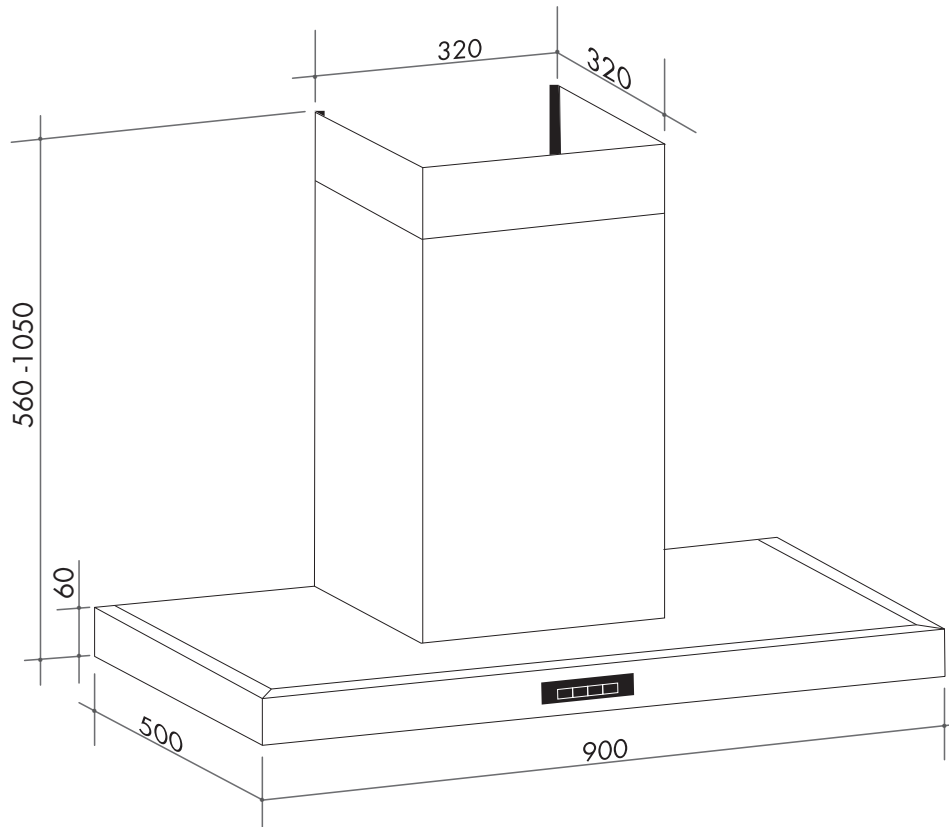


# ILVE COMMERCIAL

## MULTI-RESIDENTIAL & HOME BUILDER PRODUCT RANGE



### IVN900X 90CM CANOPY RANGE HOOD


**Rangehood**
**EAN code: 9341584032263 (IVN900X)**

Product Size: 900W x 500D x 560-1050H mm

 NB: drawings are not to scale —  
they are to be used as a guide only

**FOLLOW US:**


/ilve\_appliances/



/ILVEappliances



/ILVE\_appliances



/ILVEappliances

 Page 2/2  
12062020

 Australia National Telephone Number 1300 MYILVE (694 583) New Zealand Telephone Number 0508 458 369  
 ILVE showrooms are open daily from 9am-5pm and Saturdays 10am-4pm

[ilve.com.au](http://ilve.com.au)
**NSW & ACT (Head Office)**

 48-50 Moore Street  
 Leichhardt  
 F 02 8569 4699

**VIC & SA**

 1211 Toorak Road  
 Camberwell  
 F 03 9809 2155

**QLD**

 1/42 Cavendish Road  
 Coorparoo  
 F 07 3397 0850

**WA & NT**

 Unit 10/55 Howe Street  
 Osborne Park  
 F 08 9201 9188

**New Zealand**

 PO Box 11.160  
 Sockburn Christchurch  
 F 03 344 5906

**DISCLAIMER**  
 Eurolinx PTY LTD, trading as ILVE Appliances, is continually seeking ways to improve the design specifications, aesthetics and production techniques of its products. As a result alterations to our products and designs take place continually. Whilst every effort is made to produce information and literature that is up to date, this brochure should not be regarded as an infallible guide to the current specifications, nor does it constitute an offer for the sale of any particular product. Product dimensions indicated in our literature is indicative only. Actual product only should be used to define dimension cutouts. Distributors, and retailers are not agents of ILVE Appliances and are not authorized to bind ILVE Appliances by any express or implied undertaking or representation.