

# ILVE COMMERCIAL

## MULTI-RESIDENTIAL & HOME BUILDER PRODUCT RANGE

### ILREF482FDBV FOUR DOOR REFRIGERATOR & FREEZER



#### ILREF482FDBV FOUR DOOR REFRIGERATOR & FREEZER

##### FEATURES

- Energy class: A+
- Vacation mode
- LED internal light (4W power)
- 'PT Fresh' - Multi-air flow design system
- Dual cycle and cooling system
- LED display control panel on the exterior door
- Frost free
- Double crisper drawers
- Control panel lock
- 'super freezing' & 'super COOL' option

##### CAPACITY

- Net capacity: 482L
- Fridge capacity: 336L
- Freezer capacity: 146L
- Wide internal opening for large platters

##### INCLUDED HARDWARE

- Fridge:
  - 1 x egg tray
  - 6 x door baskets / shelves
  - 1 x fixed shelf & 2 x adjustable shelves
- Freezer:
  - 6 x drawers
  - 2 glass shelves on top of the drawers to seal the freezing environment for food
  - 1 x ice tray

##### TEMPERATURE RANGE

- Fridge: 2°C to 8°C
- Freezer: -16°C to -24°C

##### Standard Option - Product Colour



Stainless Steel    Black Glass

##### DOOR

- Handless door with concealed 'finger' grab opening slot
- Four door's and compartments

##### DETAILED INFORMATION

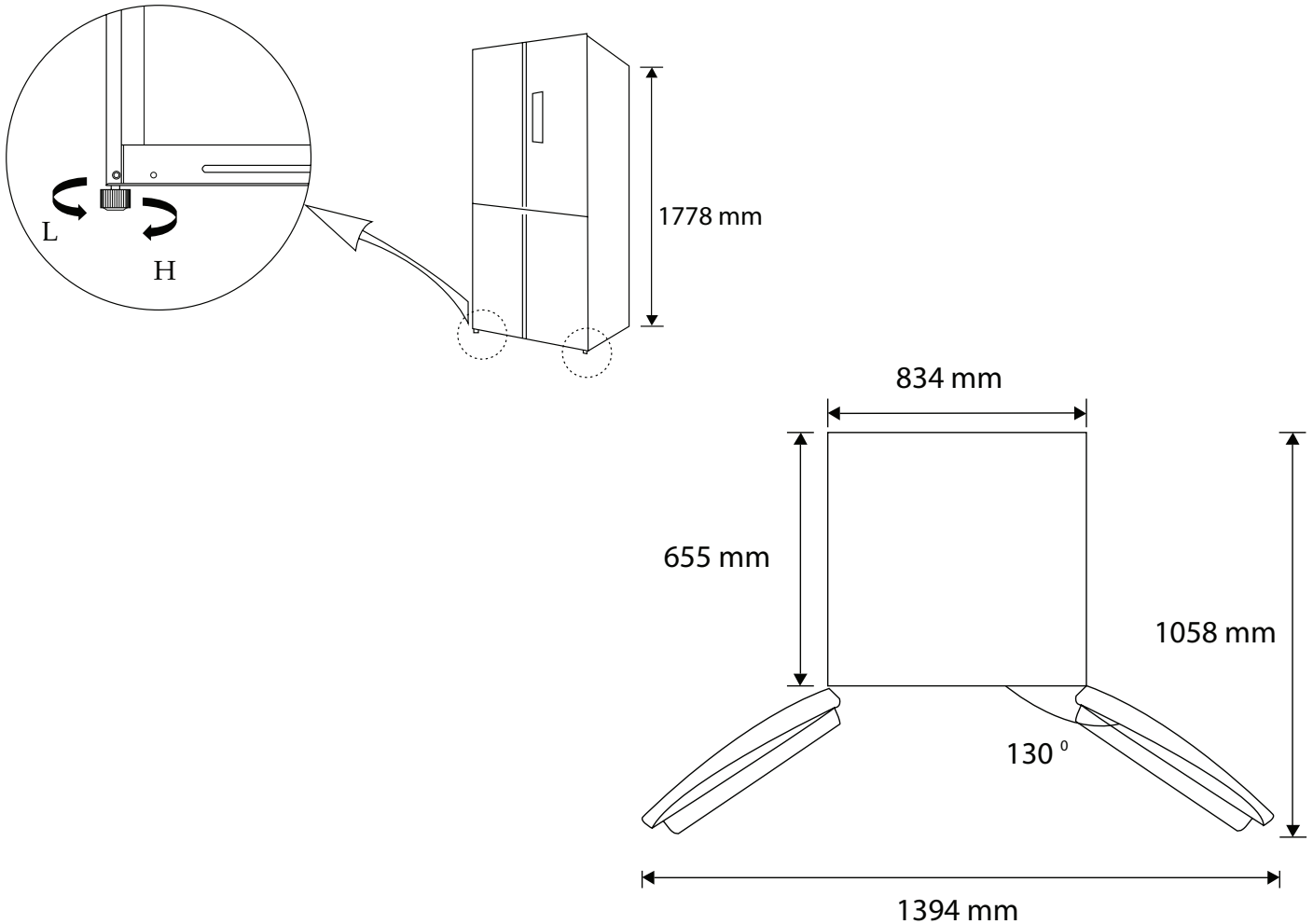
- Size (mm): 834W x 655D x 1778H
- Noise: 42dbA
- Refrigerant type R600A



# ILVE COMMERCIAL

## MULTI-RESIDENTIAL & HOME BUILDER PRODUCT RANGE

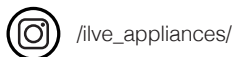
### ILREF482FDBV FOUR DOOR REFRIGERATOR & FREEZER



**Refrigeration**  
**EAN code: 9341584114556 (ILREF482FDBV)**  
 Product Size: 834W x 655D x 1778H mm  
 10 AMP plug & lead  
 170cm power cord

NB: drawings are not to scale —  
 they are to be used as a guide only

#### FOLLOW US:



Page  
21052021

Australia National Telephone Number 1300 MYILVE (694 583) New Zealand Telephone Number 0508 458 369  
 ILVE showrooms are open daily from 9am-5pm and Saturdays 10am-4pm

[ilve.com.au](http://ilve.com.au)

#### NSW & ACT (Head Office)

48-50 Moore Street  
 Leichhardt  
 F 02 8569 4699

#### QLD

1/42 Cavendish Road  
 Coorparoo  
 F 07 3397 0850

#### WA & NT

Unit 10/55 Howe Street  
 Osborne Park  
 F 08 9201 9188

#### New Zealand

PO Box 11.160  
 Sockburn Christchurch  
 F 03 344 5906

**DISCLAIMER**  
 Eurolinx PTY LTD, trading as ILVE Appliances, is continually seeking ways to improve the design specifications, aesthetics and production techniques of its products. As a result alterations to our products and designs take place continually. Whilst every effort is made to produce information and literature that is up to date, this brochure should not be regarded as an infallible guide to the current specifications, nor does it constitute an offer for the sale of any particular product. Product dimensions indicated in our literature is indicative only. Actual product only should be used to define dimension cutouts. Distributors, and retailers are not agents of ILVE Appliances and are not authorized to bind ILVE Appliances by any express or implied undertaking or representation.