

ILVE COMMERCIAL MULTI-RESIDENTIAL & HOME BUILDER PRODUCT RANGE

600SPYTCGV 60CM ELECTRIC PYROLYTIC BUILT-IN OVEN



600TCBV BUILT-IN ELECTRIC OVEN

FEATURES

- Save up to 100 of your favoured most used recipes
- PANA-View full-glass oven door and inner glass
- 11 different language settings
- Time (12h or 24h) and date setting
- Touch control TFT display with brightness adjustment
- Accurate digital thermostat control: 0°C-250°C
- Option of °C or °F setting
- Pre-programmable timer with 3 beeper level options

SAFETY

- Cool touch BIO-Safe quadruple glazed glass door

FUNCTIONS

- Select 17 specialised manual multifunctional modes
- CHEF-Assist with over 35 preset recipes with automatic cooking time and weight preset for a variety of family meals
- Closed door grilling

CLEANING

- PYRO-Clean mode for pyrolytic cleaning with electronic door lock
- ULTRA-Clean smooth grey cavity

CAPACITY & INTERIOR

- 66 litre oven capacity
- 5 cooking levels
- Removable oven door and inner door glass
- Dark / black tinted glass on door exterior

ACCESSORIES

- Standard with 1 x set of telescopic runners – with 100% extraction
- 2 x oven racks and 1 x grill pan (baking dish) set

Standard Option - Oven Colour



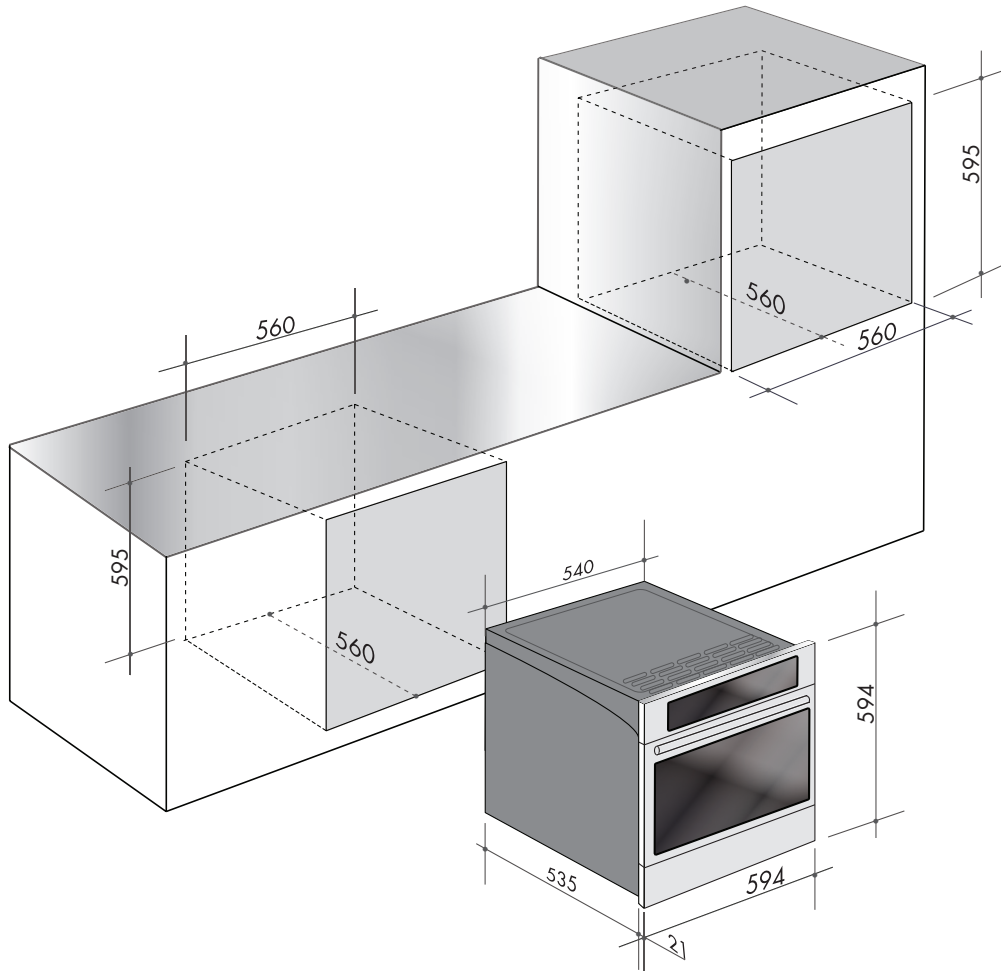
Stainless Steel Black Glass Grey Glass



ILVE COMMERCIAL

MULTI-RESIDENTIAL & HOME BUILDER PRODUCT RANGE

600SPYTCGV 60CM ELECTRIC PYROLYTIC BUILT-IN OVEN



Oven

EAN code: TBC (600SPYTCGV)

Product Size: 594W x 594H x 535D + 21mm fascia

Total Electrical Load: 3.5kw/h

NB: drawings are not to scale —
they are to be used as a guide only

FOLLOW US:



/ilve_appliances/



/ILVEappliances



/ILVE_appliances



/ILVEappliances

Page 2/2
18122020

Australia National Telephone Number 1300 MYILVE (694 583) New Zealand Telephone Number 0508 458 369
ILVE showrooms are open daily from 9am-5pm and Saturdays 10am-4pm

ilve.com.au

NSW & ACT (Head Office)

48-50 Moore Street
Leichhardt
F 02 8569 4699

QLD

1/42 Cavendish Road
Coorparoo
F 07 3397 0850

WA & NT

Unit 10/55 Howe Street
Osborne Park
F 08 9201 9188

New Zealand

PO Box 11.160
Sockburn Christchurch
F 03 344 5906

DISCLAIMER
Eurolinx PTY LTD, trading as ILVE Appliances, is continually seeking ways to improve the design specifications, aesthetics and production techniques of its products. As a result alterations to our products and designs take place continually. Whilst every effort is made to produce information and literature that is up to date, this brochure should not be regarded as an infallible guide to the current specifications, nor does it constitute an offer for the sale of any particular product. Product dimensions indicated in our literature is indicative only. Actual product only should be used to define dimension cutouts. Distributors, and retailers are not agents of ILVE Appliances and are not authorized to bind ILVE Appliances by any express or implied undertaking or representation.