

ILVE COMMERCIAL

MULTI-RESIDENTIAL & HOME BUILDER PRODUCT RANGE

IVG90BK 90CM CANOPY RANGE HOOD

MADE
IN ITALY24 MONTH
WARRANTY90CM
WIDELOW
NOISELED
GLOBE

IVG90BK CANOPY HOOD

FEATURES

- Stainless steel construction enamelled in gloss black
- Aesthetically designed to suit ILVE's GrigioLusso & black series of appliances
- Electronic push button control with variable speed
- LED lighting

SAFETY

- Motor cut out fire protection

CLEANING

- Filters: stainless steel with square mesh filter

FILTERS

- Honeycomb 5 layer mesh filters

MOTOR

- Max. Air flow (m3/h): 560 net or 800 gross*
- Noise (dB): low 54 - high 68
- Twin turbine high velocity centrifugal fan, optional in-line motor is available to assist air flow

DETAILED INFORMATION

- Size: 90cm
- Colour: Gloss Black
- Ducting size: 150mm

OPTIONAL EXTRA

- Charcoal Filter: 0051H01000

*Range Hood extraction rate m3/h reading is measured at: 1m duct up, 1 x 90°C bend & 1m vertical duct

**Using the conversion back to 125mm may effect performance

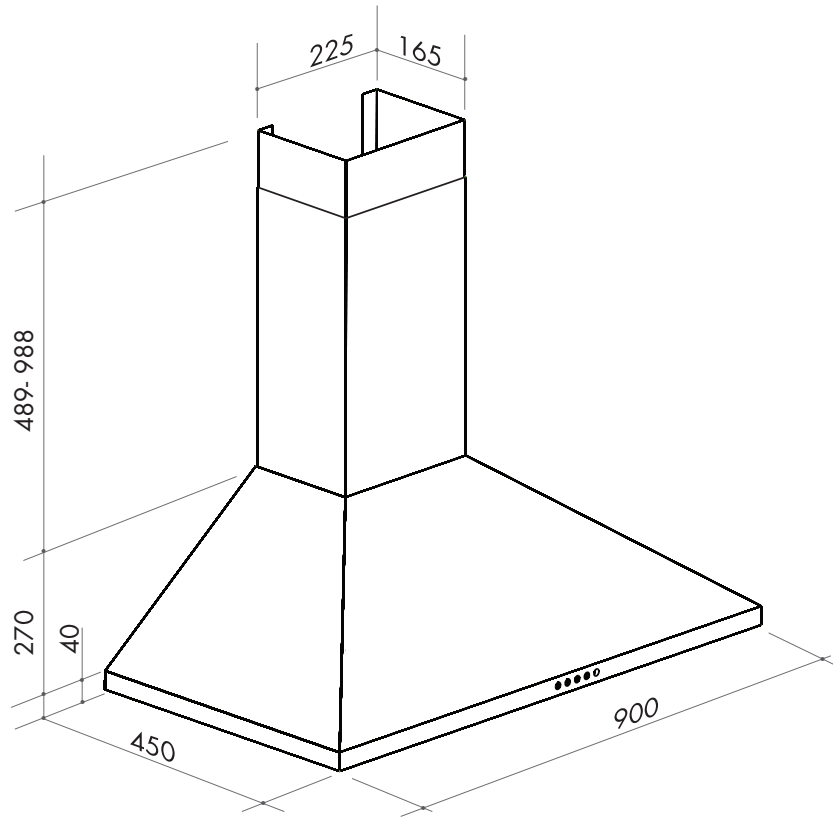
Standard Option - Range Hood Colour

Gloss Black
Enamel

ILVE COMMERCIAL

MULTI-RESIDENTIAL & HOME BUILDER PRODUCT RANGE

IVG90BK 90CM CANOPY RANGE HOOD



Rangehood

EAN code: 9341584038388 (IVG90BK)

Product Size: 900W x 450D x 489-988H mm

NB: drawings are not to scale —
they are to be used as a guide only

FOLLOW US:



/ilve_appliances/



/ILVEappliances



/ILVE_appliances



/ILVEappliances

Page 2/2
16062020

Australia National Telephone Number 1300 MYILVE (694 583) New Zealand Telephone Number 0508 458 369
ILVE showrooms are open daily from 9am-5pm and Saturdays 10am-4pm

ilve.com.au

NSW & ACT (Head Office)

48-50 Moore Street
Leichhardt
F 02 8569 4699

VIC & SA

1211 Toorak Road
Camberwell
F 03 9809 2155

QLD

1/42 Cavendish Road
Coorparoo
F 07 3397 0850

WA & NT

Unit 10/55 Howe Street
Osborne Park
F 08 9201 9188

New Zealand

PO Box 11.160
Sockburn Christchurch
F 03 344 5906

DISCLAIMER
Eurolinx PTY LTD, trading as ILVE Appliances, is continually seeking ways to improve the design specifications, aesthetics and production techniques of its products. As a result alterations to our products and designs take place continually. Whilst every effort is made to produce information and literature that is up to date, this brochure should not be regarded as an infallible guide to the current specifications, nor does it constitute an offer for the sale of any particular product. Product dimensions indicated in our literature is indicative only. Actual product only should be used to define dimension cutouts. Distributors, and retailers are not agents of ILVE Appliances and are not authorized to bind ILVE Appliances by any express or implied undertaking or representation.