

ILVE COMMERCIAL

MULTI-RESIDENTIAL & HOME BUILDER PRODUCT RANGE



IVG901X1 90CM CANOPY RANGE HOOD



24 MONTH
WARRANTY



90CM
WIDE



HALOGEN
GLOBE



IVG901X1 CANOPY HOOD

FEATURES

- 3 variable speeds
- AS430 stainless steel
- electronic push-button controls
- 2 halogen lights
- recirculate or duct direct
- supplied with & plug power cord

SAFETY

- Motor cut out fire protection

CLEANING

- Filter cleaning in warm soapy water

FILTERS

- Honeycomb aluminium mesh filters

MOTOR

- Max. air flow (m³/h): 850 net
- Noise (dB): 67
- Twin turbine high velocity centrifugal fan, optional in-line motor is available to assist air flow

DETAILED INFORMATION

- Size: 60cm & 90cm
- Easy installation
- 10 amps power requirement

OPTIONAL EXTRA

- x 2 Charcoal Filters: D-HXT6010A

Range hood extraction rate m³/hr reading is measured at 1m duct up, 1x90° C bend and 1m vertical duct

Standard Option - Range Hood Colour



Stainless Steel

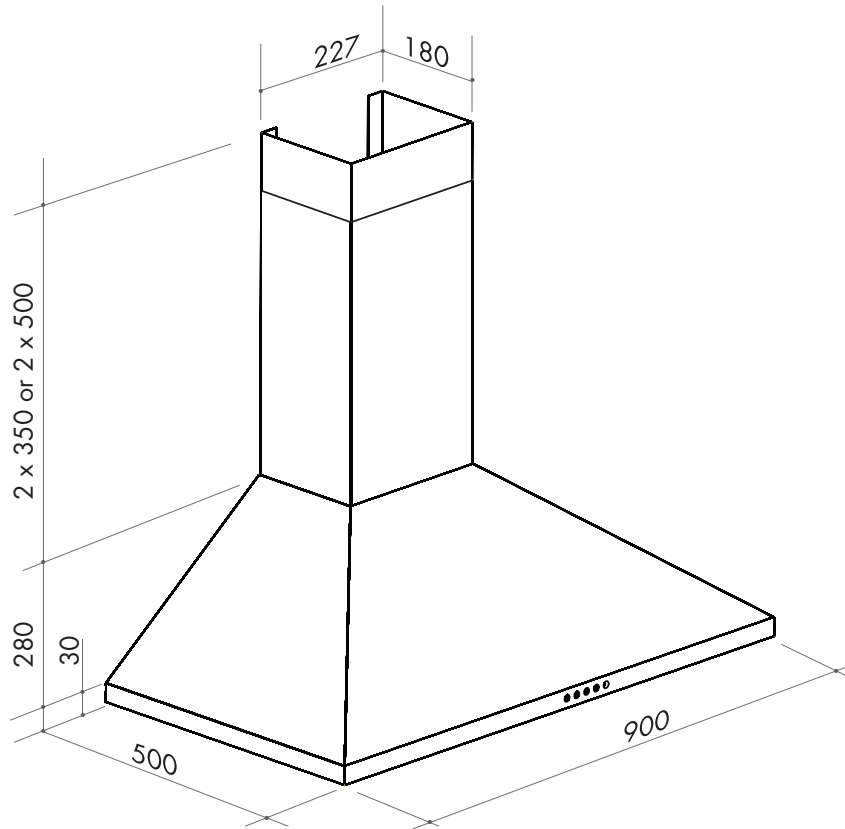


ILVE COMMERCIAL

MULTI-RESIDENTIAL & HOME BUILDER PRODUCT RANGE



IVG901X1 90CM CANOPY RANGE HOOD


Rangehood
EAN code: 9341584035868 (IVG901X1)

Product Size: 900W x 500D x 2x350H mm

 NB: drawings are not to scale —
they are to be used as a guide only

FOLLOW US:


/ilve_appliances/



/ILVEappliances



/ILVE_appliances



/ILVEappliances

 Page 2/2
16062020

 Australia National Telephone Number 1300 MYILVE (694 583) New Zealand Telephone Number 0508 458 369
ILVE showrooms are open daily from 9am-5pm and Saturdays 10am-4pm

ilve.com.au
NSW & ACT (Head Office)

 48-50 Moore Street
Leichhardt
F 02 8569 4699

VIC & SA

 1211 Toorak Road
Camberwell
F 03 9809 2155

QLD

 1/42 Cavendish Road
Coorparoo
F 07 3397 0850

WA & NT

 Unit 10/55 Howe Street
Osborne Park
F 08 9201 9188

New Zealand

 PO Box 11.160
Sockburn Christchurch
F 03 344 5906

DISCLAIMER
Eurolinx PTY LTD, trading as ILVE Appliances, is continually seeking ways to improve the design specifications, aesthetics and production techniques of its products. As a result alterations to our products and designs take place continually. Whilst every effort is made to produce information and literature that is up to date, this brochure should not be regarded as an infallible guide to the current specifications, nor does it constitute an offer for the sale of any particular product. Product dimensions indicated in our literature is indicative only. Actual product only should be used to define dimension cutouts. Distributors, and retailers are not agents of ILVE Appliances and are not authorized to bind ILVE Appliances by any express or implied undertaking or representation.