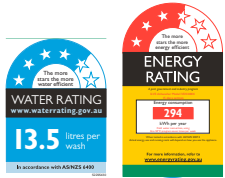


ILVE COMMERCIAL

MULTI-RESIDENTIAL & HOME BUILDER PRODUCT RANGE

IVDSI400X 60CM SEMI-INTEGRATED DISHWASHER



MODEL IVDSI400X SEMI-INTEGRATED DISHWASHER

STYLE

- Semi-Integrated

CAPACITY

- 15 place settings

FEATURES

- 8 wash programs- Pre-wash, mini 14, quick 30, ECO, super 50', auto delicate, auto normal, auto intensive
- Eco Wash - Half load option
- hidden heating element
- metal filter type
- stainless steel tub
- smart wash
- turbo drying system
- Extra drying button
- Extra hygiene button
- overflow & leaking protection
- heater protection
- Asynchronous Circulation pump wash programs
- 4 adjustable mug shelves
- Foldable racks on lower basket
- Removable cutlery basket
- Wine stem support & Spoon rack on upper basket
- 45 dBA
- 13.5L Water consumption



CONTROL PANEL & USER INTERFACE BUTTONS

- LED display
- touch control
- delay timer option
- tablet option
- Rinse-aid indicator

TECHNICAL

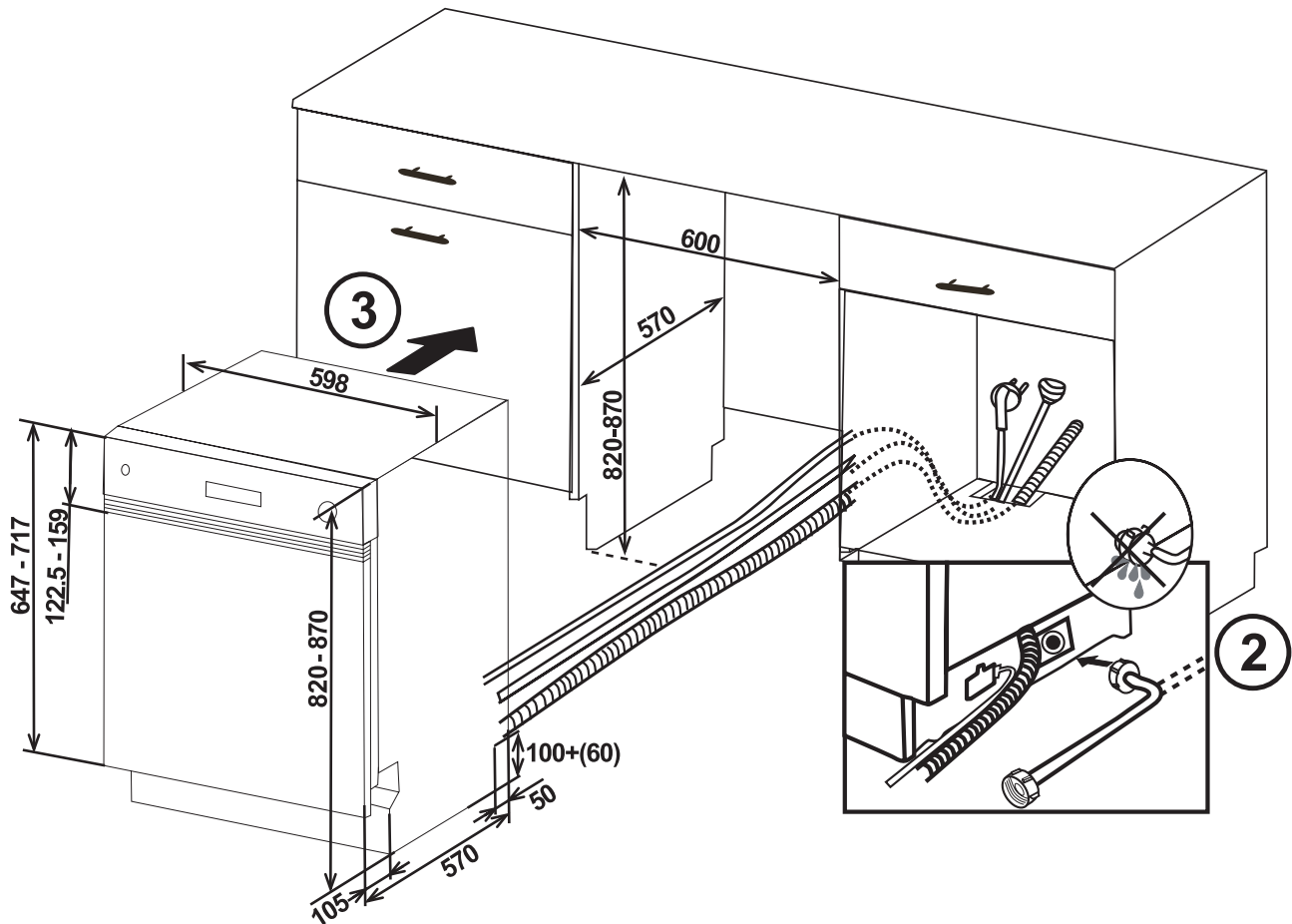
- Voltage (V) 220-240
- Frequency (Hz) 50
- Fuse Rating (A) 10
- 10 AMP plug & lead
- Power cord length: 165mm
- water inlet hose: 155mm
- water outlet hose: 170mm
- Door panel weight: 3-5kgs
- Kick panel & door panel not supplied



ILVE COMMERCIAL

MULTI-RESIDENTIAL & HOME BUILDER PRODUCT RANGE

IVDSI400X 60CM SEMI-INTEGRATED DISHWASHER


Dishwasher
EAN code: 9341584039002 (IVDSI400X)
Product Size: W598mm x D570mm x H870 max

NB: drawings are not to scale —
they are to be used as a guide only

FOLLOW US:

[/ilve_appliances/](https://www.instagram.com/ilve_appliances/)

[/ILVEappliances](https://www.facebook.com/ILVEappliances)

[/ILVE_appliances](https://twitter.com/ILVE_appliances)

[/ILVEappliances](https://www.youtube.com/channel/UC...)

Page 2/2
25052020

Australia National Telephone Number 1300 MYILVE (694 583) New Zealand Telephone Number 0508 458 369
ILVE showrooms are open daily from 9am-5pm and Saturdays 10am-4pm

ilve.com.au

NSW & ACT (Head Office)

48-50 Moore Street
Leichhardt
F 02 8569 4699

VIC & SA

1211 Toorak Road
Camberwell
F 03 9809 2155

QLD

1/42 Cavendish Road
Coorparoo
F 07 3397 0850

WA & NT

Unit 10/55 Howe Street
Osborne Park
F 08 9201 9188

New Zealand

PO Box 11.160
Sockburn Christchurch
F 03 344 5906

DISCLAIMER
Eurolinx PTY LTD, trading as ILVE Appliances, is continually seeking ways to improve the design specifications, aesthetics and production techniques of its products. As a result alterations to our products and designs take place continually. Whilst every effort is made to produce information and literature that is up to date, this brochure should not be regarded as an infallible guide to the current specifications, nor does it constitute an offer for the sale of any particular product. Product dimensions indicated in our literature is indicative only. Actual product only should be used to define dimension cutouts. Distributors, and retailers are not agents of ILVE Appliances and are not authorized to bind ILVE Appliances by any express or implied undertaking or representation.