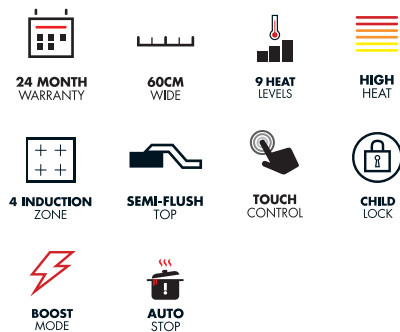


ILVE COMMERCIAL

MULTI-RESIDENTIAL & HOME BUILDER PRODUCT RANGE

ILD6E 60CM INDUCTION COOKTOP



ILD6E 60CM INDUCTION COOKTOP

FINISH

- Black glass

FEATURES

- Slider central control panel
- cooking levels 0-9
- long life techno capacitive touch technology with minimal oxidization
- Simultaneous timers for each zone
- Independent egg timer
- Pause mode
- Recall mode
- Automated keep warm option at 70°C

SAFETY

- Child lock
- Residual heat indicator
- Overflow detection
- Time limitation system assisting the cooktop to not overheat
- Long-life protection - protects the electronics against overheating
- Cooktop will not work if wired incorrectly

CLEANING & ACCESSORIES

- Easy clean ceran glass surface
- Sealing gasket (installation kit)
- Rapid mounting system - ventilation or mounting clips not required

ZONES

- 4 cooking zones (see diagram for power statistics)
- Zone Boost, double boost & NEW Start-up Boost on all zones
- Zone bridging mode

POWER CONSUMPTION

- Total Power consumption: 7.4 kw

Standard Option - Cooktop Colour



Black Glass

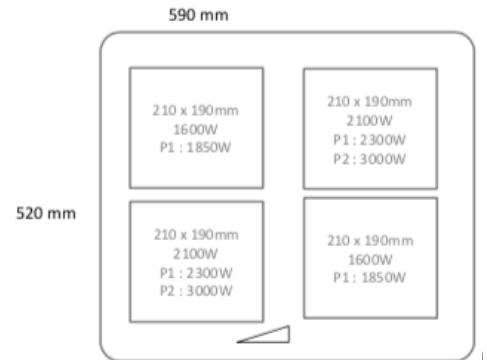
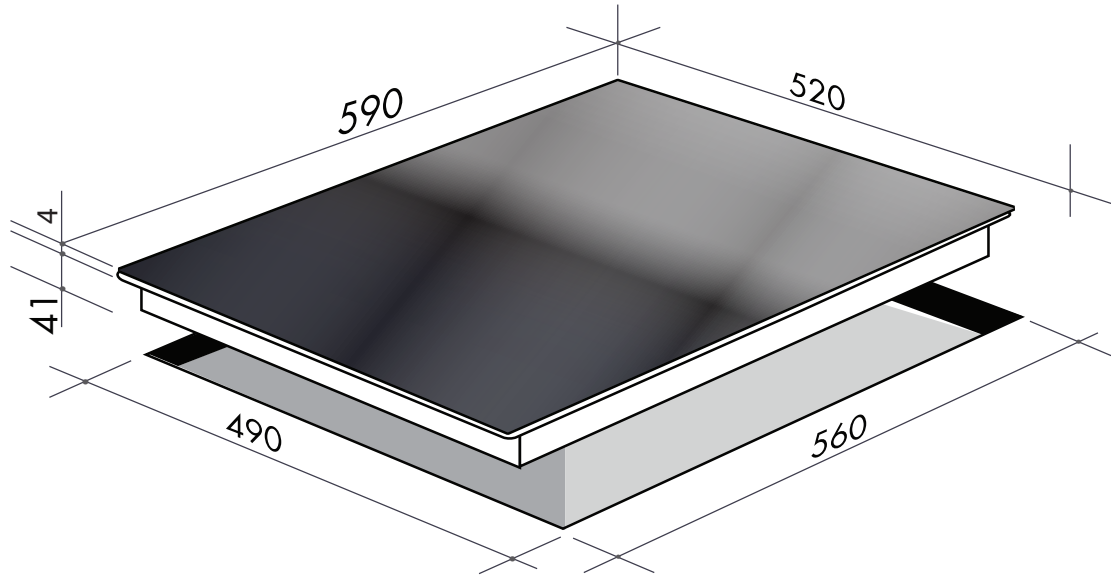


ILVE COMMERCIAL

MULTI-RESIDENTIAL & HOME BUILDER PRODUCT RANGE



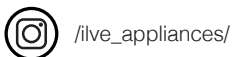
ILD6E 60CM INDUCTION COOKTOP



i Cooktop
EAN code: 9341584037589 (ILD6E)
 Product Size: 590W x 520D mm
 Cutout Size: 560W x 490D mm

NB: drawings are not to scale — they are to be used as a guide only

FOLLOW US:



Australia National Telephone Number 1300 MYILVE (694 583) New Zealand Telephone Number 0508 458 369
 ILVE showrooms are open daily from 9am-5pm and Saturdays 10am-4pm

ilve.com.au

NSW & ACT (Head Office)

48-50 Moore Street
 Leichhardt
 F 02 8569 4699

VIC & SA

1211 Toorak Road
 Camberwell
 F 03 9809 2155

QLD

1/42 Cavendish Road
 Coorparoo
 F 07 3397 0850

WA & NT

Unit 10/55 Howe Street
 Osborne Park
 F 08 9201 9188

New Zealand

PO Box 11.160
 Sockburn Christchurch
 F 03 344 5906

DISCLAIMER
 Eurolinx PTY LTD, trading as ILVE Appliances, is continually seeking ways to improve the design specifications, aesthetics and production techniques of its products. As a result alterations to our products and designs take place continually. Whilst every effort is made to produce information and literature that is up to date, this brochure should not be regarded as an infallible guide to the current specifications, nor does it constitute an offer for the sale of any particular product. Product dimensions indicated in our literature is indicative only. Actual product only should be used to define dimension cutouts. Distributors, and retailers are not agents of ILVE Appliances and are not authorized to bind ILVE Appliances by any express or implied undertaking or representation.