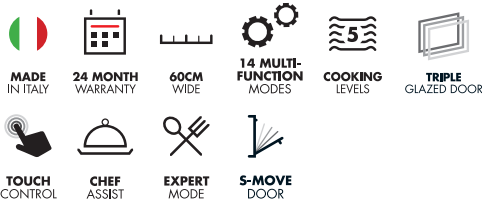


ILVE COMMERCIAL

MULTI-RESIDENTIAL & HOME BUILDER PRODUCT RANGE



600TCI 60CM ELECTRIC BUILT-IN OVEN



600TCI BUILT-IN ELECTRIC OVEN

FEATURES

- Single fan heating providing even heat distribution with reduced hot spots and consistent heat
- S-Move soft and gentle closing door hinges
- Touch control TFT display with brightness adjustment
- Pre programmable timer with 3 beeper level options
- Accurate digital thermostat control: 0°C-250°C

FINISH

- AS430 stainless steel

SAFETY

- Safe touch BIO-Safe triple glazed glass door

FUNCTIONS

- Select 14 specialised manual expert modes
- CHEF-Assist with over 35 preset recipes with automatic cooking time and weight preset for a variety of family meals
- Save up to 100 of your favoured most used recipes

CLEANING

- ULTRA-Clean smooth black cavity
- easy-clean removable inner glass & door

CAPACITY & INTERIOR

- Oven cavity size (cm): 46w x 41.5d x 35.2h

ACCESSORIES

- 1 x set of telescopic runners – with 75% extraction
- 2 x oven racks and 1 x grill pan (baking dish) set

TECHNICAL INFORMATION

- 3.5kW/hr total electrical consumption
- 15 amp electrical connection, plug & lead
- Size: 594W x 594H x 535D + 21mm fascia

Standard Option - Oven Colour



Stainless Steel Black Glass Grey Glass

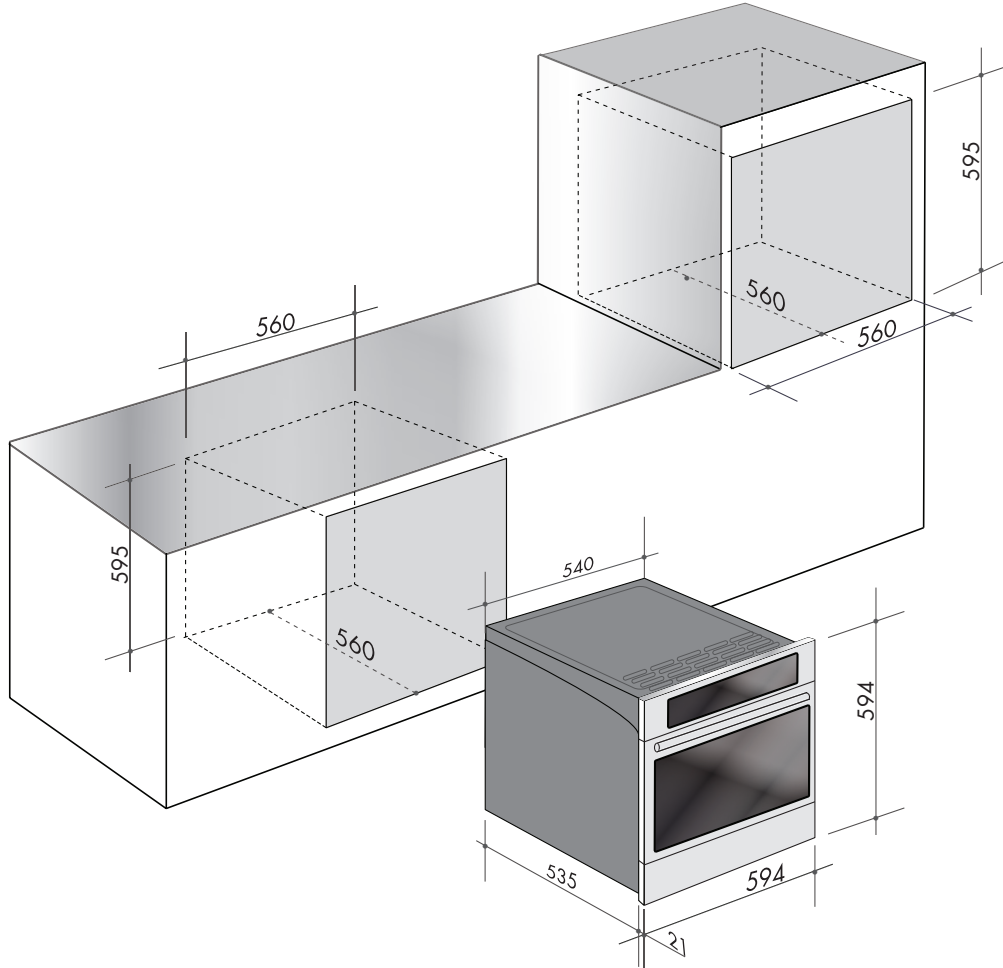


ILVE COMMERCIAL

MULTI-RESIDENTIAL & HOME BUILDER PRODUCT RANGE



600TCI 60CM ELECTRIC BUILT-IN OVEN


Oven
EAN code: 9341584039071 (600TCI)

Product Size: 594W x 594H x 535D + 21mm fascia

Total Electrical Load: 3.5kw/h

NB: drawings are not to scale —
they are to be used as a guide only

FOLLOW US:


/ilve_appliances/



/ILVEappliances



/ILVE_appliances



/ILVEappliances

 Page 2/2
09102020

Australia National Telephone Number 1300 MYILVE (694 583) New Zealand Telephone Number 0508 458 369
ILVE showrooms are open daily from 9am-5pm and Saturdays 10am-4pm

ilve.com.au
NSW & ACT (Head Office)

 48-50 Moore Street
Leichhardt
F 02 8569 4699

VIC & SA

 1211 Toorak Road
Camberwell
F 03 9809 2155

QLD

 1/42 Cavendish Road
Coorparoo
F 07 3397 0850

WA & NT

 Unit 10/55 Howe Street
Osborne Park
F 08 9201 9188

New Zealand

 PO Box 11.160
Sockburn Christchurch
F 03 344 5906

DISCLAIMER
Eurolinx PTY LTD, trading as ILVE Appliances, is continually seeking ways to improve the design specifications, aesthetics and production techniques of its products. As a result alterations to our products and designs take place continually. Whilst every effort is made to produce information and literature that is up to date, this brochure should not be regarded as an infallible guide to the current specifications, nor does it constitute an offer for the sale of any particular product. Product dimensions indicated in our literature is indicative only. Actual product only should be used to define dimension cutouts. Distributors, and retailers are not agents of ILVE Appliances and are not authorized to bind ILVE Appliances by any express or implied undertaking or representation.