

ILO60DCBV

60cm built-in multifunction electric oven

ILO60DCBV BUILT-IN ELECTRIC OVEN

FEATURES

- tangential fan cooling
- Time, 24h setting
- Touch control digital timer
- Accurate digital thermostat control: 0°C-250°C
- S-MOVE Soft close hinges
- PANA-view glass door with full visibility into the cooking cavity from the outside
- Inner door with 'American' Style robust commercial design

FINISH

- Black glass
- Matte black handle & function knobs
- White etched cooking modes on control panel with symbols & words

SAFETY

- Cool touch triple glazed glass door

FUNCTIONS

- 9 functions — pizza, fan forced, fan grill, static grill, half static grill, bottom element, fan assisted, convection, light

CLEANING

- ULTRA-Clean smooth grey enamel cavity
- easy-clean glass door
- detachable door

CAPACITY & INTERIOR

- Oven cavity size (cm): 46w x 41.5d x 33.5h
- 5 cooking levels
- Dark / black tinted glass on door exterior

ACCESSORIES

- 1 x oven rack and 1 x grill pan & grill insert

TECHNICAL INFORMATION

- 3.5kW/hr total electrical consumption
- 15 amp electrical connection, plug & lead supplied
- Size: 592W x 594H x 535D + 21mm fascia



COOL TOUCH



MADE IN ITALY



60CM WIDE



9 MULTI-FUNCTION MODES



COOKING LEVELS



24 MONTH WARRANTY



S-MOVE DOOR



DIGITAL DISPLAY



COLOUR PALETTE

- Available in Stainless Steel, Black Glass & White Glass



EAN 9341584039101

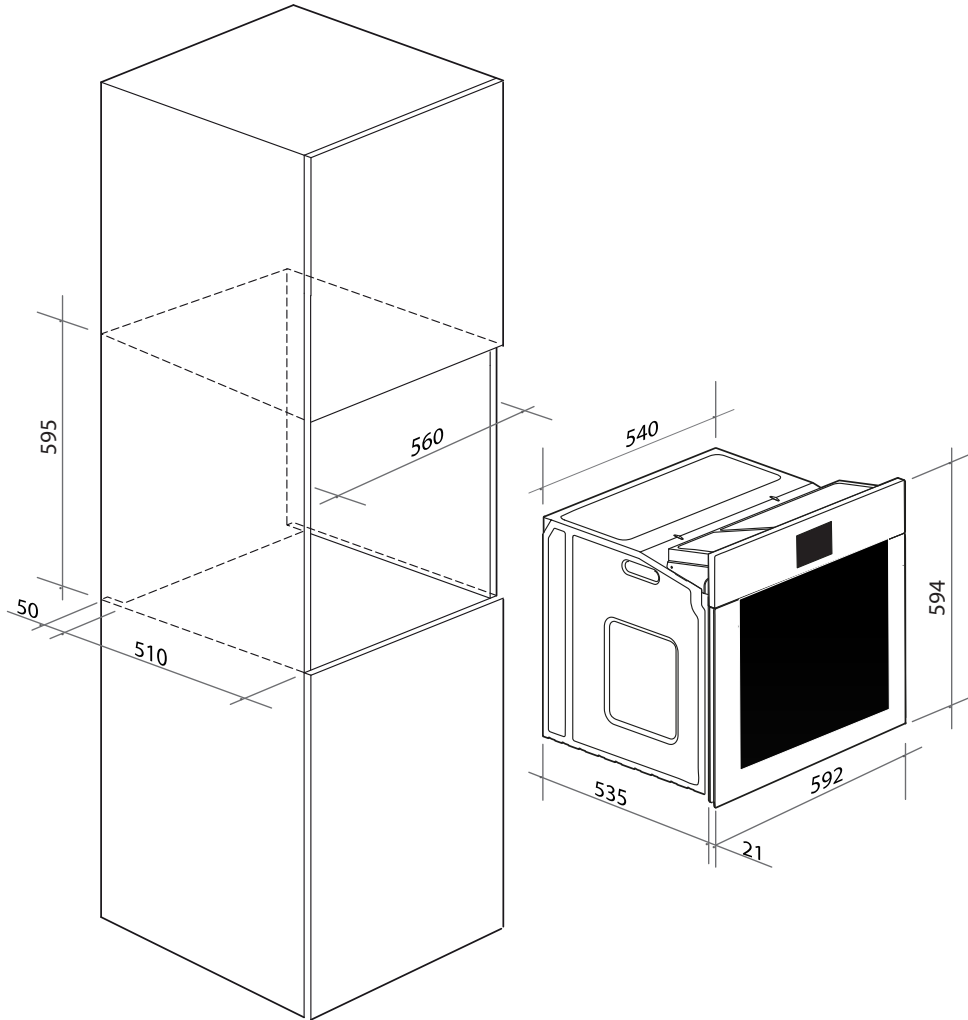
DISCLAIMER

Eurolinx Pty Ltd, trading as ILVE Appliances, is continually seeking ways to improve the design specifications, aesthetics and production techniques of its products. As a result alterations to our products and designs take place continually. Whilst every effort is made to produce information and literature that is up to date, this brochure should not be regarded as an infallible guide to the current specifications, nor does it constitute an offer for the sale of any particular product. Product dimensions indicated in our literature is indicative only. Actual product only should be used to define dimension cutouts. Distributors, and retailers are not agents of ILVE Appliances and are not authorized to bind ILVE Appliances by any express or implied undertaking or representation.

IL100320

ILO60DCBV

60cm built-in multifunction electric oven



NB: drawings are not to scale — they are to be used as a guide only

IL100320

EAN 9341584039101

DISCLAIMER

Eurolinx Pty Ltd, trading as ILVE Appliances, is continually seeking ways to improve the design specifications, aesthetics and production techniques of its products. As a result alterations to our products and designs take place continually. Whilst every effort is made to produce information and literature that is up to date, this brochure should not be regarded as an infallible guide to the current specifications, nor does it constitute an offer for the sale of any particular product. Product dimensions indicated in our literature is indicative only. Actual product only should be used to define dimension cutouts. Distributors, and retailers are not agents of ILVE Appliances and are not authorized to bind ILVE Appliances by any express or implied undertaking or representation.

FOLLOW US ON:



facebook.com/ILVEappliances



instagram.com/ILVE_appliances



youtube.com/ILVEappliances



livewithilve.com

Australia National Telephone Number 1300 MYILVE (694 583) New Zealand Telephone Number 64 3 344 5913

ILVE showroom hours: Tuesday to Friday - 9am-5pm, Saturday - 10am-4pm, Sunday and Monday - closed

* Melbourne showroom hours: Tuesday to Saturday - 10am-4pm

ilve.com.au

NSW & ACT (Head Office)
48-50 Moore Street
Leichhardt
F 02 8569 4699

VIC & SA
1211 Toorak Road
Camberwell
F 03 9809 2155

QLD
1/42 Cavendish Road
Coorparoo
F 07 3397 0850

WA & NT
Unit 10/55 Howe Street
Osborne Park
F 08 9201 9188

New Zealand
PO Box 11.160
Sockburn Christchurch
F 03 344 5906