

EAN: 8016361938946

MODEL WDXOC575AC-AUS



FREESTANDING 7KG WASHING MACHINE & 5KG DRYER

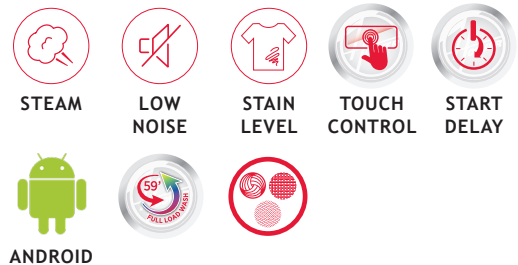
PRODUCT INFORMATION

Features

- Colour- white (with chrome colour door)
- “One Touch” feature - can be used android phones
- NFC technology (near field communication)
- Water protection system- foam control, anti overflow
- Spin speed - 1500RPM with optional variable speed settings
- Countdown timer
- Electronic programme knob control selector
- Soft touch buttons
- Motor- AC
- Stainless steel drum
- Politech Z tub
- Door security
- Moisture monitoring system
- Adjustable feet
- Electronic speed management
- Electronic balance control
- Anti-crease function
- Programmes number 16 - all baby, all delicate, ALLinONE, hand wash (delicates/silk), high dry, low dry, rapid 14’ 30’44’, spin, sports wear, wash & dry 59’, wool
- Functions - start delay, start/pause, spin speed, key lock, temperature selection, drying selection/steam function, rapid/stain/soil level
- Gross weight 73kg, net weight 69kg
- Current A 10
- Fuse rating (A) 10
- Dryer energy rating- 3.5 star



DYNAMIC NEXT



DISCLAIMER

Eurolinx PTY LTD, is continually seeking ways to improve the design specifications, aesthetics and production techniques of its products. As a result alterations to our products and designs take place continually. Whilst every effort is made to produce information and literature that is up to date, this brochure should not be regarded as an infallible guide to the current specifications, nor does it constitute an offer for the sale of any particular product. Product dimensions indicated in our literature is indicative only. Actual product only should be used to define dimension cut outs. Distributors, and retailers are not agents of Eurolinx and are not authorized to bind Eurolinx by any express or implied undertaking or representation.

FOLLOW US ON: [hover_appliancesAU](https://www.instagram.com/hover_appliancesAU)

www.hooverappliances.com.au

Australian National Telephone Number 1300 694 583
 Office Hours: Monday - Friday 8:30am-5pm
 Showroom Hours: Tuesday - Friday 9am-5pm & Saturday 10am-4pm
 Closed Sunday & Monday

NSW & ACT (Head Office)
 48-50 Moore Street
 Leichhardt
 F 02 8569 4699

VIC & SA
 1211 Toorak Road
 Camberwell
 F 03 9809 2155

QLD
 1/42 Cavendish Road
 Coorparoo
 F 07 3397 0850

WA & NT
 Unit 10/55 Howe Street
 Osborne Park
 F 08 9201 9188

EAN: 8016361938946

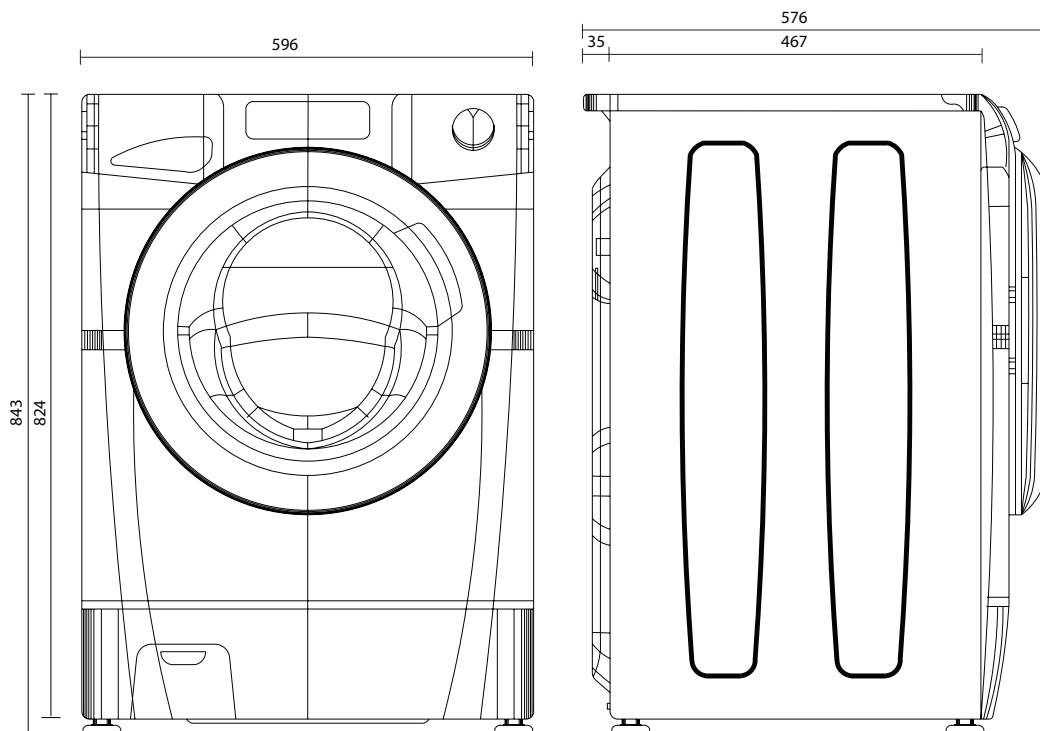
MODEL WDXOC575AC-AUS



FREESTANDING 7KG WASHING MACHINE & 5KG DRYER

TECHNICAL DIAGRAM

WDXOC 575AC-AUS



Model WDXOC575AC 7kg washing machine & 5kg dryer
 Max absorbed power (W) 2150
 Voltage V 220-240
 Length inlet hose 150cm, length drain hose 200cm, length electrical supply cord 160cm

DISCLAIMER

Eurolinx PTY LTD, is continually seeking ways to improve the design specifications, aesthetics and production techniques of its products. As a result alterations to our products and designs take place continually. Whilst every effort is made to produce information and literature that is up to date, this brochure should not be regarded as an infallible guide to the current specifications, nor does it constitute an offer for the sale of any particular product. Product dimensions indicated in our literature is indicative only. Actual product only should be used to define dimension cut outs. Distributors, and retailers are not agents of Eurolinx and are not authorized to bind Eurolinx by any express or implied undertaking or representation.

30102020

FOLLOW US ON: [hover_appliancesAU](https://www.instagram.com/hover_appliancesAU)

www.hooverappliances.com.au

Australian National Telephone Number 1300 694 583
 Office Hours: Monday - Friday 8:30am-5pm
 Showroom Hours: Tuesday - Friday 9am-5pm & Saturday 10am-4pm
 Closed Sunday & Monday

NSW & ACT (Head Office)
 48-50 Moore Street
 Leichhardt
 F 02 8569 4699

VIC & SA
 1211 Toorak Road
 Camberwell
 F 03 9809 2155

QLD
 1/42 Cavendish Road
 Coorparoo
 F 07 3397 0850

WA & NT
 Unit 10/55 Howe Street
 Osborne Park
 F 08 9201 9188