

EAN: 8016361938991

# MODEL DXOC27/1-AUS



## FREESTANDING 7KG WASHING MACHINE

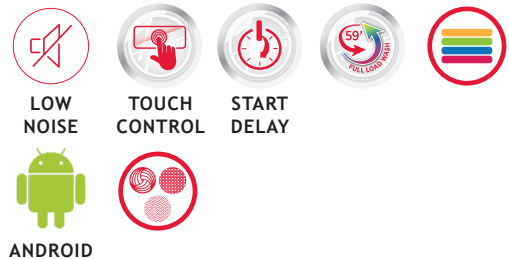
### PRODUCT INFORMATION

#### Features

- Colour- white (with chrome colour door)
- “One-Touch” feature - can be used android phones
- NFC technology (near field communication)
- Water protection system- foam control, anti overflow
- Spin speed - 1200RPM
- Multifunctional display with KG mode
- Electronic programme knob control selector
- Soft touch buttons
- Motor- AC
- Stainless steel drum
- Silitech tub
- Door security
- Programmes number 12
- Special programs - rapid 14’ 30’ or 44’, daily 59’, mixed, hand wash & wool, delicates, sports wear, dark colours, drain & spin, baby hygiene 60°C, activeCO 20°C, whites + pre wash, whites, one touch
- Functions - start/pause, start delay, options, rapid/stain level, temperature selection, spin speed, key lock
- Gross weight 70kg
- Net weight 68kg
- Current A 10, Fuse rating (A) 10



### DYNAMIC NEXT



#### DISCLAIMER

Eurolinx PTY LTD, is continually seeking ways to improve the design specifications, aesthetics and production techniques of its products. As a result alterations to our products and designs take place continually. Whilst every effort is made to produce information and literature that is up to date, this brochure should not be regarded as an infallible guide to the current specifications, nor does it constitute an offer for the sale of any particular product. Product dimensions indicated in our literature is indicative only. Actual product only should be used to define dimension cut outs. Distributors, and retailers are not agents of Eurolinx and are not authorized to bind Eurolinx by any express or implied undertaking or representation.

**FOLLOW US ON:** [hover\\_appliancesAU](https://www.instagram.com/hover_appliancesAU)

[www.hooverappliances.com.au](http://www.hooverappliances.com.au)

Australian National Telephone Number 1300 694 583  
 Office Hours: Monday - Friday 8:30am-5pm  
 Showroom Hours: Tuesday - Friday 9am-5pm & Saturday 10am-4pm  
 Closed Sunday & Monday

**NSW & ACT (Head Office)**  
 48-50 Moore Street  
 Leichhardt  
 F 02 8569 4699

**VIC & SA**  
 1211 Toorak Road  
 Camberwell  
 F 03 9809 2155

**QLD**  
 1/42 Cavendish Road  
 Coorparoo  
 F 07 3397 0850

**WA & NT**  
 Unit 10/55 Howe Street  
 Osborne Park  
 F 08 9201 9188



# AVAILABLE ACCESSORIES

## MODEL 35602039

### STACKING KIT WITH SLIDING SHELF

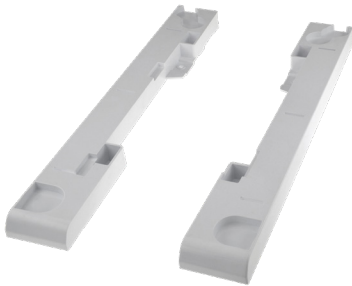


The universal stacking kit allows for safe and perfectly stable placement of your dryer above the washing machine, saving useful space in the home.

The 35602039 model features a practical sliding shelf, with safe stop and anti-tipping system that can hold up to 12Kg to help make loading and unloading easier. The shelf is also handy for folding laundry as you empty the dryer.

## MODEL 35601864

### STACKING KIT



Quick and easy to install, this kit requires no tools to assemble while its included securing strip and wall mount ensures a secure fitting even during spin cycles, leaving you in total security and peace of mind.

It fits most washing machines and tumble dryers easily (the kit is suitable to all standard-size appliances, from 47cm to 62cm of depth, even with rounded front).

## PRODUCT INFORMATION

### Features

- Quick and easy to install
- Suitable for all standard-size appliances, even with rounded front
- Safe, durable and stable even during spin cycles
- Practical sliding shelf, supporting up to 12Kg (35602039- stacking kit with sliding shelf)



### DISCLAIMER

Eurolinx PTY LTD, is continually seeking ways to improve the design specifications, aesthetics and production techniques of its products. As a result alterations to our products and designs take place continually. Whilst every effort is made to produce information and literature that is up to date, this brochure should not be regarded as an infallible guide to the current specifications, nor does it constitute an offer for the sale of any particular product. Product dimensions indicated in our literature is indicative only. Actual product only should be used to define dimension cut outs. Distributors, and retailers are not agents of Eurolinx and are not authorized to bind Eurolinx by any express or implied undertaking or representation.

30102020

### FOLLOW US ON:



hoover\_appliancesAU

[www.hooverappliances.com.au](http://www.hooverappliances.com.au)

Australian National Telephone Number 1300 694 583  
 Office Hours: Monday - Friday 8:30am-5pm  
 Showroom Hours: Tuesday - Friday 9am-5pm & Saturday 10am-4pm  
 Closed Sunday & Monday

#### NSW & ACT (Head Office)

48-50 Moore Street  
 Leichhardt  
 F 02 8569 4699

#### VIC & SA

1211 Toorak Road  
 Camberwell  
 F 03 9809 2155

#### QLD

1/42 Cavendish Road  
 Coorparoo  
 F 07 3397 0850

#### WA & NT

Unit 10/55 Howe Street  
 Osborne Park  
 F 08 9201 9188

EAN: 8016361938991

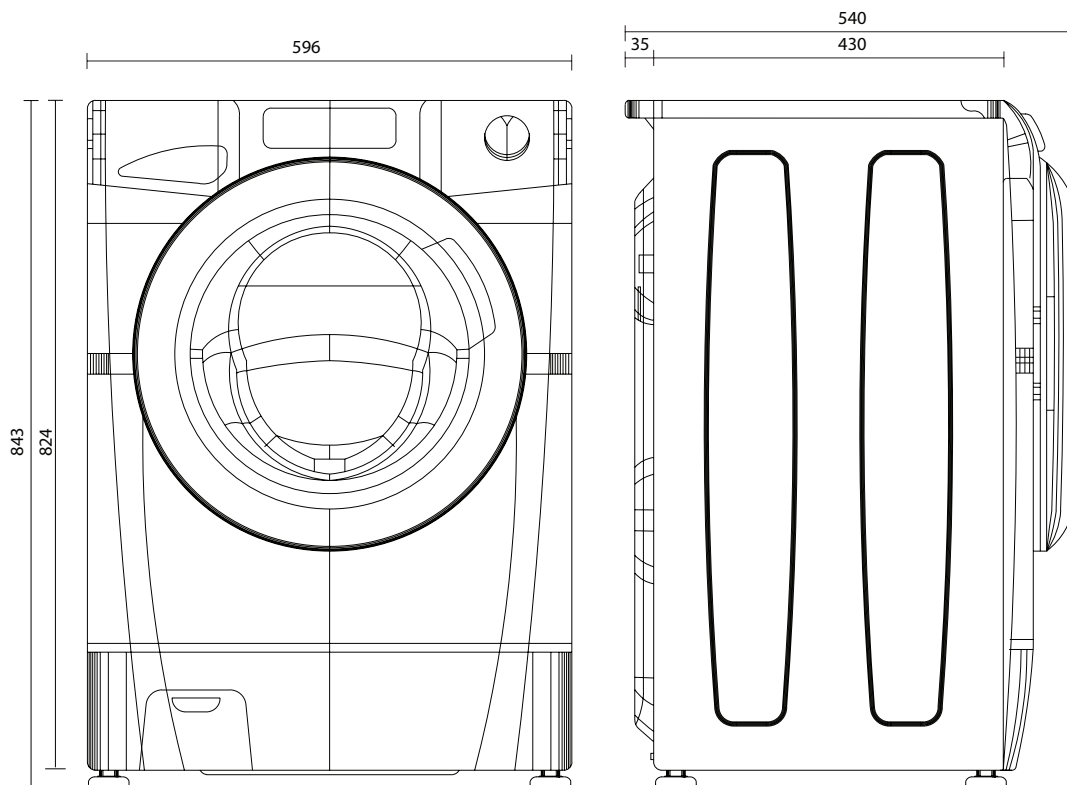
# MODEL DXOC27/1-AUS



FREESTANDING 7KG WASHING MACHINE

## TECHNICAL DIAGRAM

DXOC 271-AUS



Model DXOC27-1 Freestanding 7kg washing machine  
 Max absorbed power (kW) 1500  
 Voltage V 220-240  
 Length inlet hose 150cm, length drain hose 200cm, length electrical supply cord 160cm

### DISCLAIMER

Eurolinx PTY LTD, is continually seeking ways to improve the design specifications, aesthetics and production techniques of its products. As a result alterations to our products and designs take place continually. Whilst every effort is made to produce information and literature that is up to date, this brochure should not be regarded as an infallible guide to the current specifications, nor does it constitute an offer for the sale of any particular product. Product dimensions indicated in our literature is indicative only. Actual product only should be used to define dimension cut outs. Distributors, and retailers are not agents of Eurolinx and are not authorized to bind Eurolinx by any express or implied undertaking or representation.

30102020

**FOLLOW US ON:** [hover\\_appliancesAU](https://www.instagram.com/hover_appliancesAU)

[www.hooverappliances.com.au](http://www.hooverappliances.com.au)

Australian National Telephone Number 1300 694 583  
 Office Hours: Monday - Friday 8:30am-5pm  
 Showroom Hours: Tuesday - Friday 9am-5pm & Saturday 10am-4pm  
 Closed Sunday & Monday

**NSW & ACT (Head Office)**  
 48-50 Moore Street  
 Leichhardt  
 F 02 8569 4699

**VIC & SA**  
 1211 Toorak Road  
 Camberwell  
 F 03 9809 2155

**QLD**  
 1/42 Cavendish Road  
 Coorparoo  
 F 07 3397 0850

**WA & NT**  
 Unit 10/55 Howe Street  
 Osborne Park  
 F 08 9201 9188