

EAN: 8016361938953

# MODEL DWOL412AHR/1-AUS



FREESTANDING 12KG WASHING MACHINE

## PRODUCT INFORMATION

### Features

- Colour- anthracite
- “One-Fi Extra” feature - can be used on apple & android phones
- Water protection system- foam control, anti overflow
- Spin speed - 1400RPM
- Motor- Inverter
- Stainless steel drum
- Silitech tub
- Door security
- Programmes number 15+1
- Special programs - ALLinONE 20°, all hygiene, ALLinONE 59’, rapid 14’ 30’ or 44’, dark colours, hand wash & silk, wool, rinse, drain & spin, shirts, delicates, mixed, cottons, whites
- Functions - night&day, favourites, steam, extra rinse, hygiene+, pre wash, rapid/ stain/soil level, spin selection, start delay, start/pause, temperature selection
- Electronic speed management
- Electronic balance control
- Gross weight 80kg
- Net weight 78kg
- Current A 10
- Fuse rating (A) 10



DYNAMIC NEXT



### DISCLAIMER

Eurolinx PTY LTD, is continually seeking ways to improve the design specifications, aesthetics and production techniques of its products. As a result alterations to our products and designs take place continually. Whilst every effort is made to produce information and literature that is up to date, this brochure should not be regarded as an infallible guide to the current specifications, nor does it constitute an offer for the sale of any particular product. Product dimensions indicated in our literature is indicative only. Actual product only should be used to define dimension cut outs. Distributors, and retailers are not agents of Eurolinx and are not authorized to bind Eurolinx by any express or implied undertaking or representation.

**FOLLOW US ON:** [hover\\_appliancesAU](https://www.instagram.com/hover_appliancesAU)

[www.hooverappliances.com.au](http://www.hooverappliances.com.au)

Australian National Telephone Number 1300 694 583  
 Office Hours: Monday - Friday 8:30am-5pm  
 Showroom Hours: Tuesday - Friday 9am-5pm & Saturday 10am-4pm  
 Closed Sunday & Monday

**NSW & ACT (Head Office)**  
 48-50 Moore Street  
 Leichhardt  
 F 02 8569 4699

**VIC & SA**  
 1211 Toorak Road  
 Camberwell  
 F 03 9809 2155

**QLD**  
 1/42 Cavendish Road  
 Coorparoo  
 F 07 3397 0850

**WA & NT**  
 Unit 10/55 Howe Street  
 Osborne Park  
 F 08 9201 9188

EAN: 8016361938953

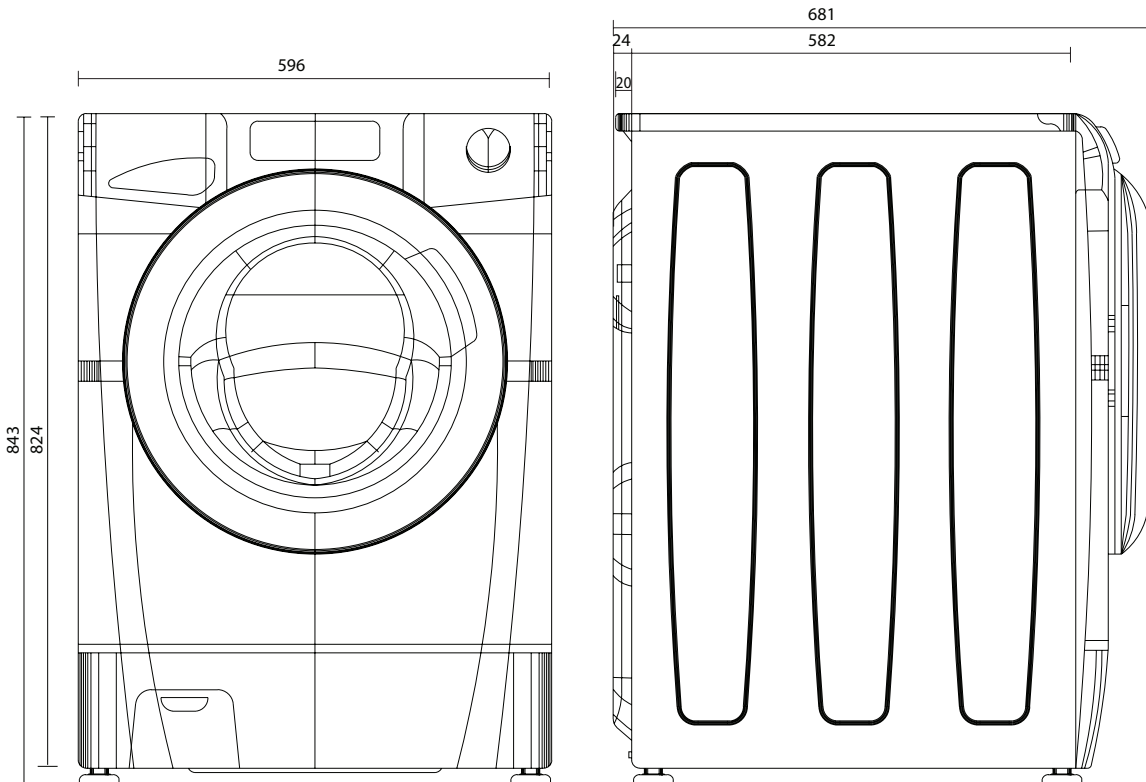
# MODEL DWOL412AHR/1-AUS



FREESTANDING 12KG WASHING MACHINE

## TECHNICAL DIAGRAM

DWOL412AHR1-AUS



Model DWOL412AHR Freestanding 12kg washing machine  
 Max absorbed power (kW) 1500  
 Voltage V 220-240  
 Length inlet hose 150cm, length drain hose 200cm, length electrical supply cord 160cm

### DISCLAIMER

Eurolinx PTY LTD, is continually seeking ways to improve the design specifications, aesthetics and production techniques of its products. As a result alterations to our products and designs take place continually. Whilst every effort is made to produce information and literature that is up to date, this brochure should not be regarded as an infallible guide to the current specifications, nor does it constitute an offer for the sale of any particular product. Product dimensions indicated in our literature is indicative only. Actual product only should be used to define dimension cut outs. Distributors, and retailers are not agents of Eurolinx and are not authorized to bind Eurolinx by any express or implied undertaking or representation.

30102020

**FOLLOW US ON:** [hover\\_appliancesAU](https://www.instagram.com/hover_appliancesAU)

[www.hooverappliances.com.au](http://www.hooverappliances.com.au)

Australian National Telephone Number 1300 694 583  
 Office Hours: Monday - Friday 8:30am-5pm  
 Showroom Hours: Tuesday - Friday 9am-5pm & Saturday 10am-4pm  
 Closed Sunday & Monday

**NSW & ACT (Head Office)**  
 48-50 Moore Street  
 Leichhardt  
 F 02 8569 4699

**VIC & SA**  
 1211 Toorak Road  
 Camberwell  
 F 03 9809 2155

**QLD**  
 1/42 Cavendish Road  
 Coorparoo  
 F 07 3397 0850

**WA & NT**  
 Unit 10/55 Howe Street  
 Osborne Park  
 F 08 9201 9188