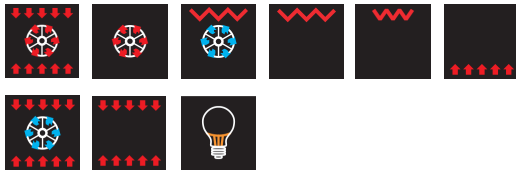


# ILVE COMMERCIAL

## MULTI-RESIDENTIAL & HOME BUILDER PRODUCT RANGE



### ILO60MMX 60CM ELECTRIC BUILT-IN OVEN



S-move soft & gentle closing door hinges



#### ILO60MMX BUILT-IN ELECTRIC OVEN

##### FEATURES

- tangential fan cooling
- Time, 24h setting
- 60 minute bell timer
- Accurate digital thermostat control: 0°C-250°C
- S-MOVE Soft close hinges
- Inner door with 'American' Style robust commercial design

##### FINISH

- ANTI-fingerprint AS430 stainless steel

##### SAFETY

- Cool touch triple glazed glass door

##### FUNCTIONS

- 9 functions — pizza, fan forced, fan grill, static grill, half static grill, bottom element, fan assisted, convection, light

##### CLEANING

- ULTRA-Clean smooth grey cavity
- easy-clean removable inner glass & door

##### CAPACITY & INTERIOR

- Oven cavity size (cm): 46w x 41.5d x 35.2h
- 5 cooking levels
- Dark / black tinted glass on door exterior

##### ACCESSORIES

- 1 x oven rack and 1 x grill/baking tray & grill insert

#### TECHNICAL INFORMATION

- 3.5kW/hr total electrical consumption
- 15 amp electrical connection, plug & lead supplied
- Size: 594W x 594H x 535D + 21mm fascia

##### Standard Option - Oven Colour



Stainless Steel

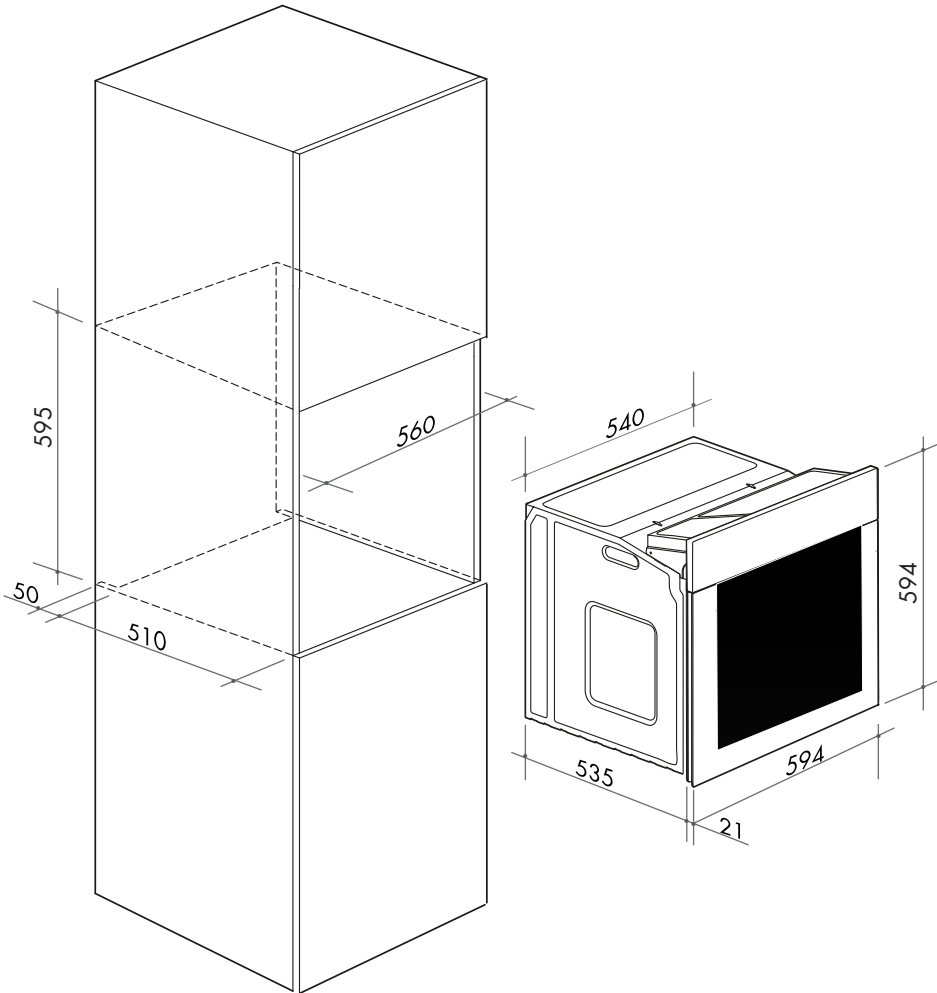


# ILVE COMMERCIAL

## MULTI-RESIDENTIAL & HOME BUILDER PRODUCT RANGE



### ILO60MMX 60CM ELECTRIC BUILT-IN OVEN



#### Oven

EAN code: 9341584037558 (ILO60MMX)

Product Size: 594W x 594H x 535D + 21mm fascia

Total Electrical Load: 3.5kW/hr total electrical consumption

NB: drawings are not to scale — they are to be used as a guide only

#### FOLLOW US:



/ilve\_appliances/



/ILVEappliances



/ILVE\_appliances



/ILVEappliances

Page 2/2  
08052020

Australia National Telephone Number 1300 MYILVE (694 583) New Zealand Telephone Number 0508 458 369  
ILVE showrooms are open daily from 9am-5pm and Saturdays 10am-4pm

[ilve.com.au](http://ilve.com.au)

#### NSW & ACT (Head Office)

48-50 Moore Street  
Leichhardt  
F 02 8569 4699

#### VIC & SA

1211 Toorak Road  
Camberwell  
F 03 9809 2155

#### QLD

1/42 Cavendish Road  
Coorparoo  
F 07 3397 0850

#### WA & NT

Unit 10/55 Howe Street  
Osborne Park  
F 08 9201 9188

#### New Zealand

PO Box 11.160  
Sockburn Christchurch  
F 03 344 5906

**DISCLAIMER**  
Eurolinx PTY LTD, trading as ILVE Appliances, is continually seeking ways to improve the design specifications, aesthetics and production techniques of its products. As a result alterations to our products and designs take place continually. Whilst every effort is made to produce information and literature that is up to date, this brochure should not be regarded as an infallible guide to the current specifications, nor does it constitute an offer for the sale of any particular product. Product dimensions indicated in our literature is indicative only. Actual product only should be used to define dimension cutouts. Distributors, and retailers are not agents of ILVE Appliances and are not authorized to bind ILVE Appliances by any express or implied undertaking or representation.