

ILVE COMMERCIAL

MULTI-RESIDENTIAL & HOME BUILDER PRODUCT RANGE

IV605WV BUILT-IN MICROWAVE



Our microwave ovens are designed to complement your choice of ILVE oven. Simple to use and made of the finest materials, with stainless steel used internally, this microwave is easily cleaned and maintained. Because microwave oven units are usually fitted to supplement the built-in oven, it is especially important that they match in design and colour. ILVE appliances are renowned for forming a perfectly integrated family of built-in appliances. That's why this microwave comes with an integrated trimkit to build in with your choice of ILVE oven.

IV605WV BUILT-IN MICROWAVE

FEATURES

- White Glass fascia
- 900W microwave power
- 1200W grill power
- 60 min digital timer
- 5 power levels
- Scroll knob control
- Push-button door
- Integrated trimkit
- Rated input: 1400W
- Rated output: 900W
- Grill heater: 1200W
- Trimkit Facia: 592W x 390H x 20D

CAPACITY & INTERIOR

- Stainless steel cavity
- Cavity size (cm): 34.8W x 21.3H x 33.4D

SAFETY

- Child lock

FUNCTIONS

- Automatic defrost by weight or time
- Auto programme menu

ACCESSORIES

- 315mm turntable
- Grill platform insert

TECHNICAL INFORMATION

- 10 amp electrical connection, plug & lead supplied
- Size: 592W x 390H x 380D + 20mm fascia

***LIMITED AVAILABILITY, CHECK WITH ILVE**

Standard Option - Microwave Colour



Black Glass

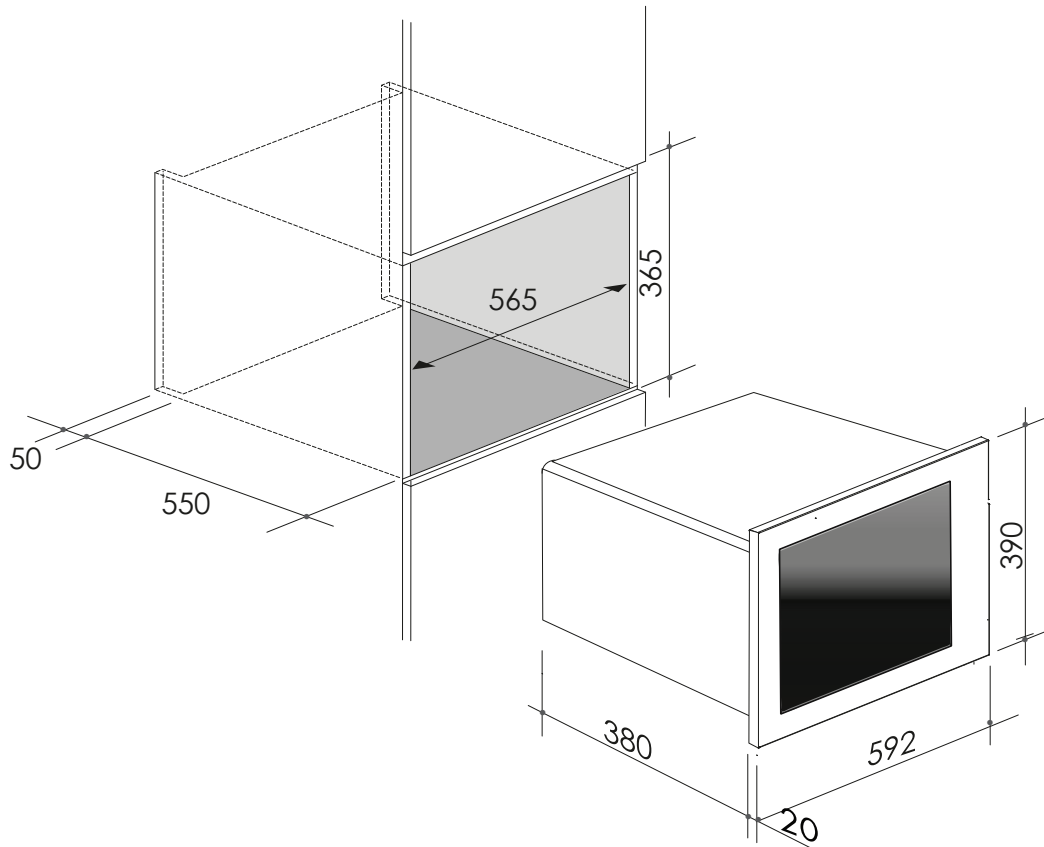


White Glass

ILVE COMMERCIAL

MULTI-RESIDENTIAL & HOME BUILDER PRODUCT RANGE

IV605WV BUILT-IN MICROWAVE


Microwave
EAN code: (IV605WV)

Product Size: 592W x 390H x 380D + 20mm fascia

NB: drawings are not to scale —
they are to be used as a guide only

FOLLOW US:


/ilve_appliances/



/ILVEappliances



/ILVE_appliances



/ILVEappliances

 Page 2/2
24042020

Australia National Telephone Number 1300 MYILVE (694 583) New Zealand Telephone Number 0508 458 369
ILVE showrooms are open daily from 9am-5pm and Saturdays 10am-4pm

ilve.com.au
NSW & ACT (Head Office)

48-50 Moore Street
Leichhardt
F 02 8569 4699

VIC & SA

1211 Toorak Road
Camberwell
F 03 9809 2155

QLD

1/42 Cavendish Road
Coorparoo
F 07 3397 0850

WA & NT

Unit 10/55 Howe Street
Osborne Park
F 08 9201 9188

New Zealand

PO Box 11.160
Sockburn Christchurch
F 03 344 5906

DISCLAIMER
Eurolinx PTY LTD, trading as ILVE Appliances, is continually seeking ways to improve the design specifications, aesthetics and production techniques of its products. As a result alterations to our products and designs take place continually. Whilst every effort is made to produce information and literature that is up to date, this brochure should not be regarded as an infallible guide to the current specifications, nor does it constitute an offer for the sale of any particular product. Product dimensions indicated in our literature is indicative only. Actual product only should be used to define dimension cutouts. Distributors, and retailers are not agents of ILVE Appliances and are not authorized to bind ILVE Appliances by any express or implied undertaking or representation.