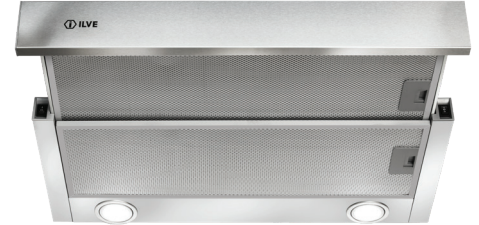
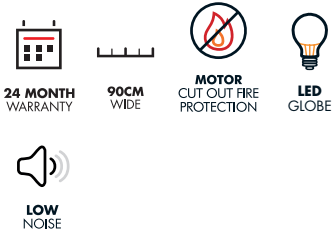


# ILVE COMMERCIAL

## MULTI-RESIDENTIAL & HOME BUILDER PRODUCT RANGE



### FR90-2 90CM FRONT RE-CIRCULATING SLIDE OUT RANGE HOOD



60cm image pictured

#### FR90-2 SLIDEOUT HOOD

##### FINISH

- Stainless steel

##### FEATURES

- Button extraction control
- ECO LED lighting
- fitted with 80mm high rail — 42mm high rail included for optional fitting

##### SAFETY

- Motor cut out fire protection

##### CLEANING

- Filter cleaning in warm soapy water

##### FILTERS

- 2 anti-grease aluminium filters

##### MOTOR

- Max. air flow (m<sup>3</sup>/h): 270 net\*
- Motor consumption: 40W
- Max. Noise (dB): 38 (low speed)
- Speed levels: 2

#### DETAILED INFORMATION

- Size: 60cm & 90cm
- Colour: Brushed stainless steel rail
- Ducting size: 125mm

Range hood extraction rate m<sup>3</sup>/hr reading is measured at 1m duct up, 1x90° C bend and 1m vertical duct

#### Standard Option - Range Hood Colour



Stainless Steel



# ILVE COMMERCIAL

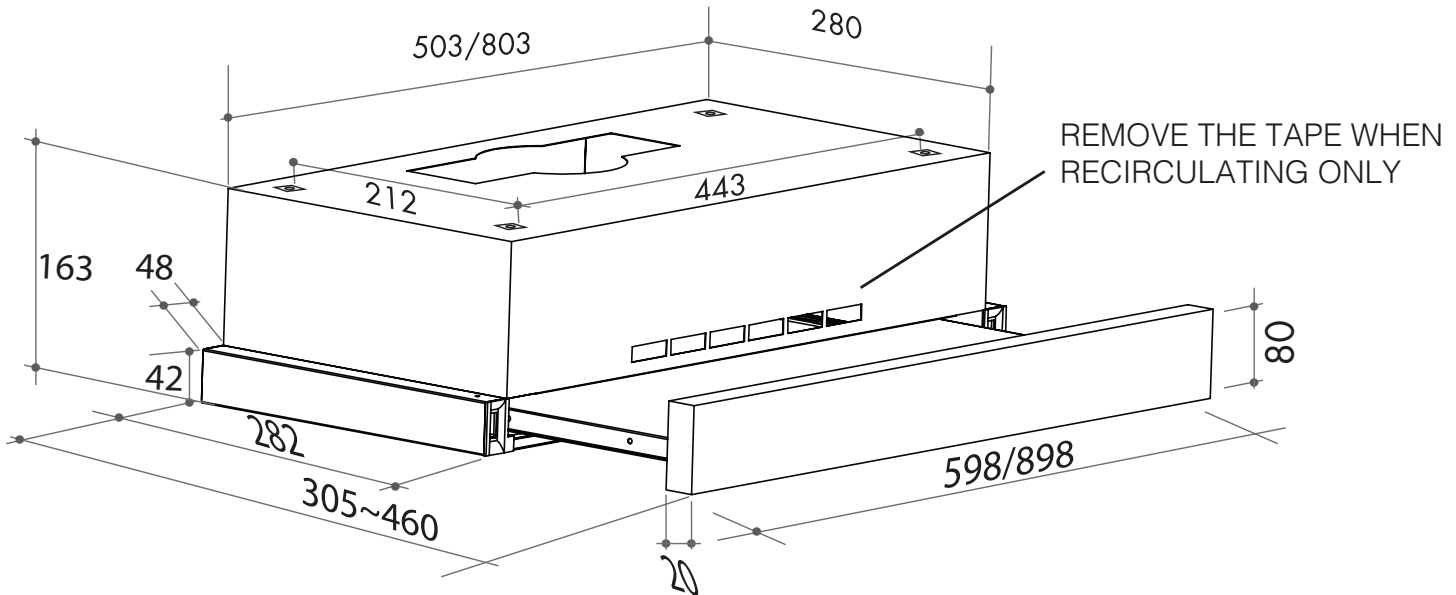
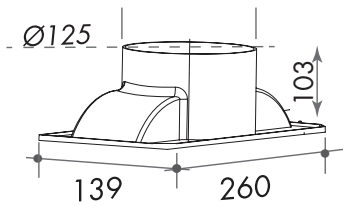
## MULTI-RESIDENTIAL & HOME BUILDER PRODUCT RANGE



### FR90-2 90CM FRONT RE-CIRCULATING SLIDE OUT RANGE HOOD

Pictured with ducted installation  
for recirculating installation, refer to  
page 5 of the user manual

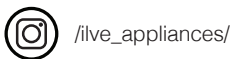
CONVERTOR PEICE FOR  
DUCTING INSTALLATION



**i** Rangehood  
EAN code: 9341584034045 (FR90-2)  
Product Size: 898W x 280D (+20mm fascia) x163.5H

NB: drawings are not to scale —  
they are to be used as a guide only

#### FOLLOW US:



Page  
31032021

Australia National Telephone Number 1300 MYILVE (694 583) New Zealand Telephone Number 0508 458 369  
ILVE showrooms are open daily from 9am-5pm and Saturdays 10am-4pm

[ilve.com.au](http://ilve.com.au)

<b>NSW &amp; ACT (Head Office)</b>	<b>QLD</b>	<b>WA &amp; NT</b>	<b>New Zealand</b>
48-50 Moore Street Leichhardt F 02 8569 4699	1/42 Cavendish Road Coorparoo F 07 3397 0850	Unit 10/55 Howe Street Osborne Park F 08 9201 9188	PO Box 11.160 Sockburn Christchurch F 03 344 5906

**DISCLAIMER**  
Eurolinx PTY LTD, trading as ILVE Appliances, is continually seeking ways to improve the design specifications, aesthetics and production techniques of its products. As a result alterations to our products and designs take place continually. Whilst every effort is made to produce information and literature that is up to date, this brochure should not be regarded as an infallible guide to the current specifications, nor does it constitute an offer for the sale of any particular product. Product dimensions indicated in our literature is indicative only. Actual product only should be used to define dimension cutouts. Distributors, and retailers are not agents of ILVE Appliances and are not authorized to bind ILVE Appliances by any express or implied undertaking or representation.