

ILVE COMMERCIAL

MULTI-RESIDENTIAL & HOME BUILDER PRODUCT RANGE



FR60-2 60CM FRONT RE-CIRCULATING SLIDE OUT RANGE HOOD



24 MONTH WARRANTY

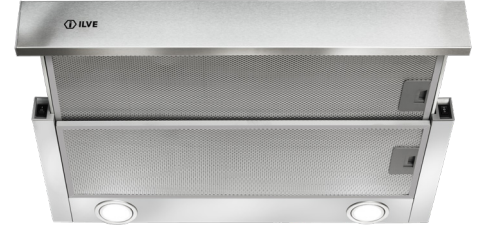
60CM WIDE

MOTOR CUT OUT FIRE PROTECTION

SPACE SAVING

LED GLOBE

LOW NOISE



FR60-2 SLIDEOUT HOOD

FINISH

- Stainless steel

FEATURES

- Button extraction control
- ECO LED lighting
- fitted with 80mm high rail — 42mm high rail included for optional fitting

SAFETY

- Motor cut out fire protection

CLEANING

- Filter cleaning in warm soapy water

FILTERS

- 2 anti-grease aluminium filters

MOTOR

- Max. air flow (m³/h): 270 net*
- Motor consumption: 40W
- Max. Noise (dB): 38 (low speed)
- Speed levels: 2

DETAILED INFORMATION

- Size: 60cm & 90cm
- Colour: Brushed stainless steel rail • Ducting size: 125mm

Range hood extraction rate m³/hr reading is measured at 1m duct up, 1x90° C bend and 1m vertical duct

Standard Option - Range Hood Colour



Stainless Steel

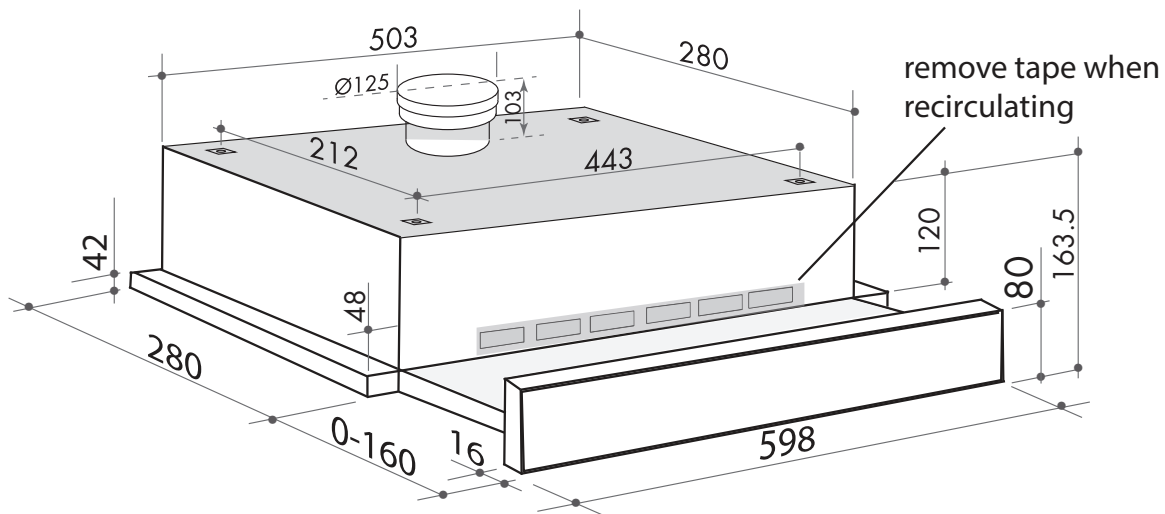


ILVE COMMERCIAL

MULTI-RESIDENTIAL & HOME BUILDER PRODUCT RANGE



FR60-2 60CM FRONT RE-CIRCULATING SLIDE OUT RANGE HOOD



Rangehood

EAN code: 9341584034038 (FR60-2)

Product Size: 598W x 280D (+20mm fascia) x163.5H |
slideout: 0-160mm

NB: drawings are not to scale —
they are to be used as a guide only

FOLLOW US:



/ilve_appliances/



/ILVEappliances



/ILVE_appliances



/ILVEappliances

Page
20072020

Australia National Telephone Number 1300 MYILVE (694 583) New Zealand Telephone Number 0508 458 369
ILVE showrooms are open daily from 9am-5pm and Saturdays 10am-4pm

ilve.com.au

NSW & ACT (Head Office)

48-50 Moore Street
Leichhardt
F 02 8569 4699

VIC & SA

1211 Toorak Road
Camberwell
F 03 9809 2155

QLD

1/42 Cavendish Road
Coorparoo
F 07 3397 0850

WA & NT

Unit 10/55 Howe Street
Osborne Park
F 08 9201 9188

New Zealand

PO Box 11.160
Sockburn Christchurch
F 03 344 5906

DISCLAIMER
Eurolinx PTY LTD, trading as ILVE Appliances, is continually seeking ways to improve the design specifications, aesthetics and production techniques of its products. As a result alterations to our products and designs take place continually. Whilst every effort is made to produce information and literature that is up to date, this brochure should not be regarded as an infallible guide to the current specifications, nor does it constitute an offer for the sale of any particular product. Product dimensions indicated in our literature is indicative only. Actual product only should be used to define dimension cutouts. Distributors, and retailers are not agents of ILVE Appliances and are not authorized to bind ILVE Appliances by any express or implied undertaking or representation.