

# ILVE COMMERCIAL

## MULTI-RESIDENTIAL & HOME BUILDER PRODUCT RANGE



### CSFR-90 90CM FRONT RE-CIRCULATING SLIDE OUT RANGE HOOD



Optional 90cm front rail — supplied in box



#### CSFR90 SLIDEOUT HOOD

##### FINISH

- Stainless steel

##### FEATURES

- slider controls
- 3 extraction levels
- 1 x E-14 energy-saving 9W lamp
- 120mm outlet diameter
- installation with outlet tube to the exterior/recirculating
- easy installation system

##### SAFETY

- Motor cut out fire protection

##### CLEANING

- Filter cleaning in warm soapy water

##### FILTERS

- aluminium filter
- 2 anti-grease filters

##### MOTOR

- Maximum airflow (m<sup>3</sup>/h): 350m<sup>3</sup>/hr net
- noise (dB): 65 maximum
- maximum power consumption 180W
- 310m<sup>3</sup>/hr net airflow

#### DETAILED INFORMATION

- Size: 60cm & 90cm
- standard 40mm aluminium front rail supplied: extra 70mm rail also included for use in recirculating mode
- charcoal filter supplied for re-circulating (the charcoal filter will need to be replaced periodically depending on use, replacement filters are available from ILVE)

#### OPTIONAL EXTRA

- Charcoal filter: 02846762

Range hood extraction rate m<sup>3</sup>/hr reading is measured at 1m duct up, w1x90° C bend and 1m vertical duct

#### Standard Option - Range Hood Colour



Stainless Steel

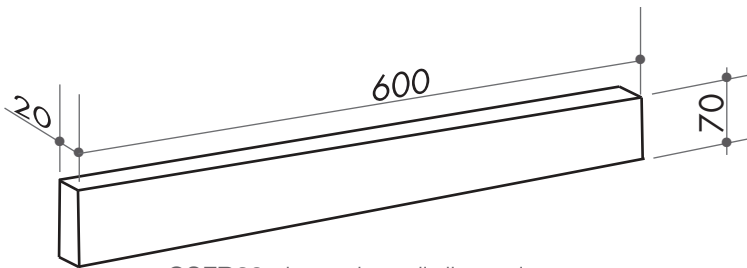
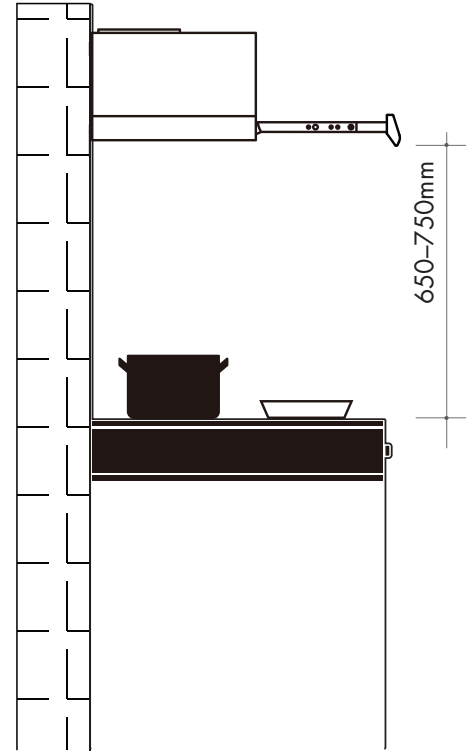
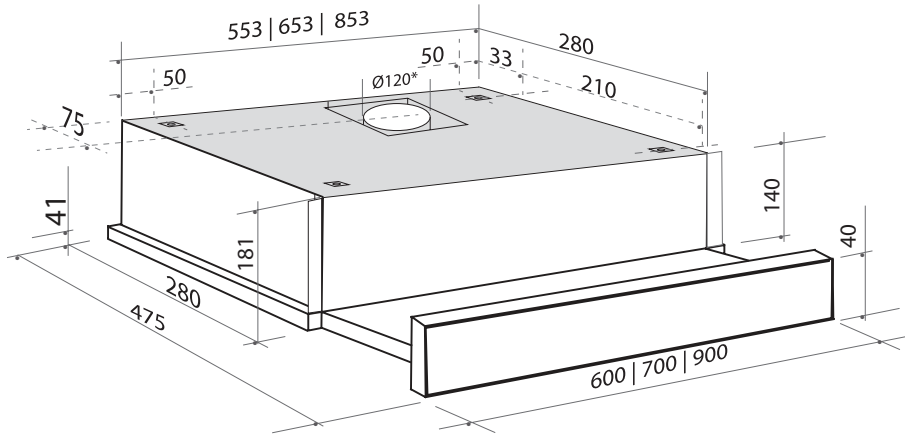


# ILVE COMMERCIAL

## MULTI-RESIDENTIAL & HOME BUILDER PRODUCT RANGE



### CSFR-90 90CM FRONT RE-CIRCULATING SLIDE OUT RANGE HOOD



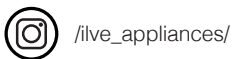
CSFR60 alternative rail dimensions

**i** Rangehood  
 EAN code: 9341584035301 (CSFR-90)  
 Product Size: 900W x 280-475D x 181H mm

NB: drawings are not to scale — they are to be used as a guide only

**FOLLOW US:**

Page  
20072020



Australia National Telephone Number 1300 MYILVE (694 583) New Zealand Telephone Number 0508 458 369  
 ILVE showrooms are open daily from 9am-5pm and Saturdays 10am-4pm

[ilve.com.au](http://ilve.com.au)

**NSW & ACT (Head Office)**  
 48-50 Moore Street  
 Leichhardt  
 F 02 8569 4699

**VIC & SA**  
 1211 Toorak Road  
 Camberwell  
 F 03 9809 2155

**QLD**  
 1/42 Cavendish Road  
 Coorparoo  
 F 07 3397 0850

**WA & NT**  
 Unit 10/55 Howe Street  
 Osborne Park  
 F 08 9201 9188

**New Zealand**  
 PO Box 11.160  
 Sockburn Christchurch  
 F 03 344 5906

**DISCLAIMER**  
 Eurolinx PTY LTD, trading as ILVE Appliances, is continually seeking ways to improve the design specifications, aesthetics and production techniques of its products. As a result alterations to our products and designs take place continually. Whilst every effort is made to produce information and literature that is up to date, this brochure should not be regarded as an infallible guide to the current specifications, nor does it constitute an offer for the sale of any particular product. Product dimensions indicated in our literature is indicative only. Actual product only should be used to define dimension cutouts. Distributors, and retailers are not agents of ILVE Appliances and are not authorized to bind ILVE Appliances by any express or implied undertaking or representation.