

COMMERCIAL PRODUCT

PILFSD6 1

freestanding dishwasher

- SIZE mm** 598Wx600Dx845H
- FINISH** stainless steel colour
- CAPACITY** 12 place settings
- FEATURES**
- delay start option | 3-6-9-12 hours
 - 49dBA
 - electronic control panel
 - push-button functions: power, programs, delay function, child lock, start/pause
 - 6 programs: intensive, heavy, ECO, 90-min, glass, rapid
 - height-adjustable top basket
 - flowmeter water sensor
 - extra drying
 - strong wash
 - grey basket
 - VDE hose 10 AMP GPO; standard 3-pin plug and cord 240V
- POWER** 220–240V, 50/60 Hz, 10AMP GPO, 3-pin plug and cord



PROGRAM	TYPE	CYCLE	DETERGENT pre/main gr	DURATION minutes	ENERGY kW/hr	WATER litres	RINSE AID
intensive 	for heaviest soiled loads, eg pots, pans, casserole dishes, and dried-on food	prewash 50°C wash 60°C rinse/rinse/rinse 65°C drying	5/25g (or all-in-1)	170	1.6	18.5	✓
heavy 	for heavily soiled loads such as pots, plates, glasses and lightly soiled pans	prewash 45°C wash 55°C rinse/rinse 65°C drying	5/25g (or all-in-1)	160	1.4	15	✓
ECO ECO AS/NZS 2007.1*	for normal soiled loads such as pots, plates, glasses, bowls and lightly soiled pans; standard daily cycle	pre-wash/wash 45°C rinse 50°C drying	5/25g (or all-in-1)	170	0.69	10.2	✓
glass 	for lightly soiled loads such as glasses, crystal and fine china	prewash wash 42°C rinse/rinse 60°C drying	5/25g (or all-in-1)	125	0.9	14.5	✓
90 min 	for lightly soiled crockery and glass	wash 65°C rinse/rinse 65°C drying	30g (or all-in-1)	90	1.2	11.5	✓
rapid 	a shorter wash for lightly soiled loads that do not need drying	wash 40°C rinse/rinse 45°C	25g	30	0.6	11.5	-

* AS/NZS 2007.1: Test cycle program
✓ Rinse Aid required

EAN 9341584036995

DISCLAIMER

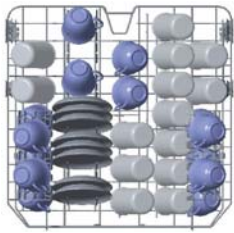
EuroInx Pty Ltd, trading as ILVE Appliances, is continually seeking ways to improve the design specifications, aesthetics and production techniques of its products. As a result alterations to our products and designs take place continually. Whilst every effort is made to produce information and literature that is up to date, this brochure should not be regarded as an infallible guide to the current specifications, nor does it constitute an offer for the sale of any particular product. Product dimensions indicated in our literature is indicative only. Actual product only should be used to define dimension cutouts. Distributors, and retailers are not agents of ILVE Appliances and are not authorized to bind ILVE Appliances by any express or implied undertaking or representation.

COMMERCIAL PRODUCT

PILFSD61

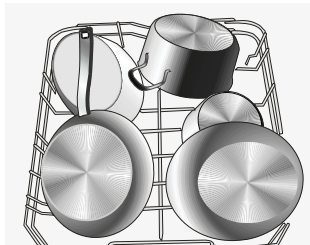
freestanding dishwasher

LOADING UPPER BASKET

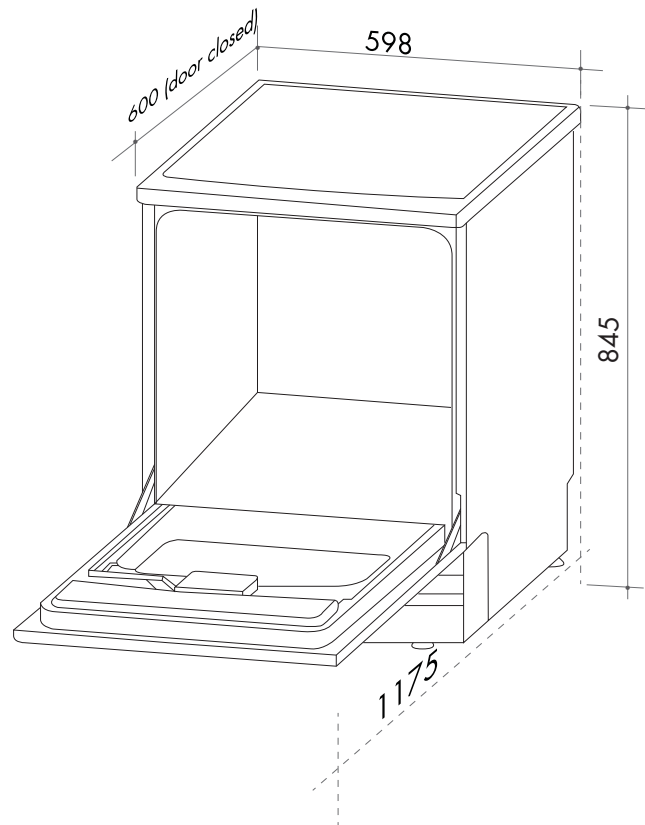


The upper basket is designed to hold more delicate and lighter dishware such as glasses, coffee and tea cups and saucers, as well as plates, small bowls and shallow pans (as long as they are not too dirty). Position the dishes and cookware so that they will not get moved by the spray of water.

LOADING LOWER BASKET



We suggest that you place large, and the most difficult to clean, items in the lower basket — ie, pots, pans, lids, serving dishes and bowls, as shown. It is preferable to place serving dishes and lids on the side of the racks in order to avoid blocking the rotation of the top spray arm.



NB: drawings are not to scale — they are to be used as a guide only. For detailed installation instructions, please refer to user guide.

You can find us on:



Australia National Telephone Number 1300 MYILVE (694 583) New Zealand Telephone Number 0508 458 369

ILVE showrooms are open Tuesday to Friday from 9am-5pm and Saturdays 10am-4pm

ilve.com.au

NSW & ACT
(head office)

48 Moore Street
Leichhardt
02 8569 4699

VIC | SA

1211 Toorak Road
CAMBERWELL
03 9809 2155

TASMANIA

3 Pear Avenue
DERWENT PARK 7009
03 6272 7386

QLD

1/42 Cavendish Road
COORPAROO
07 3397 0850

WA | NT

10/55 Howe Street
OSBORNE PARK
08 9201 9188

New Zealand

PO Box 11.160
Sockburn Christchurch
03 344 5906