

# ILVE COMMERCIAL

## MULTI-RESIDENTIAL & HOME BUILDER PRODUCT RANGE



### IVUM90 90CM CONCEALED UNDER MOUNT RANGE HOOD



24 MONTH  
WARRANTY



90CM  
WIDE



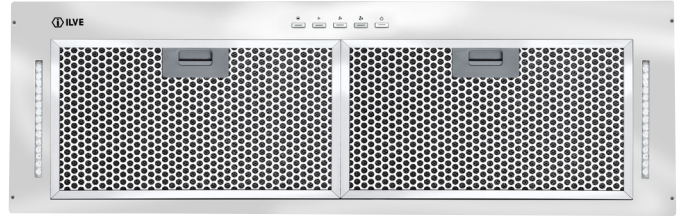
SPACE  
SAVING



LED  
GLOBE



LOW  
NOISE



#### IVUM 90 CONCEALED HOOD

##### FEATURES

- Concealed design built into the kitchen cabinetry
- Stainless steel facia
- Built to exacting professional cooker hood standards
- Suitable for all ILVE cooktops 60cm or 90cm wide
- Push button extraction control
- LED strip lighting

##### SAFETY

- Motor cut out fire protection

##### CLEANING

- Filter cleaning in warm soapy water

##### FILTERS

- Honeycomb stainless steel filters (90cm)
- Dishwasher safe filters

##### MOTOR

- Max. gross air flow (m<sup>3</sup>/h): 850
- Noise (dB): 52.5
- Four speed
- Twin turbine high velocity centrifugal fan

##### DETAILED INFORMATION

- Size: 60cm and 90cm
- Ducting size: 150mm
- Easy installation

##### OPTIONAL EXTRA

- x 2 Charcoal Filters: D-HXT6009A

##### Standard Option - Range Hood Colour



Stainless Steel

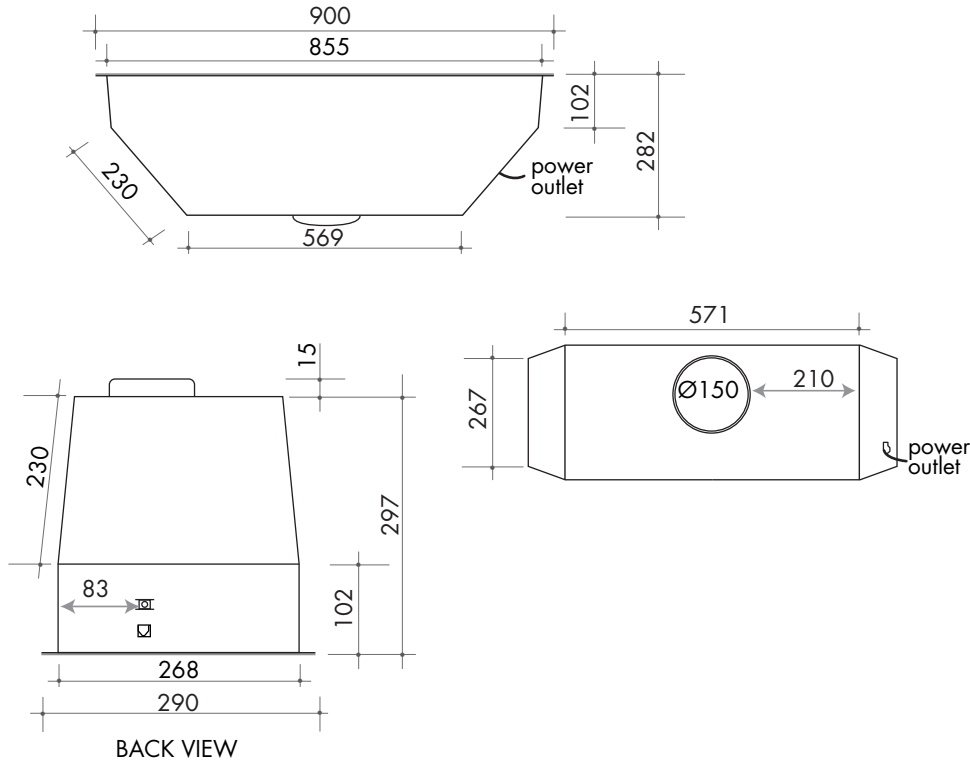


# ILVE COMMERCIAL


## MULTI-RESIDENTIAL & HOME BUILDER PRODUCT RANGE



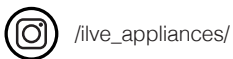
### IVUM90 90CM CONCEALED UNDER MOUNT RANGE HOOD



NB: drawings are not to scale — they are to be used as a guide only

 **Rangehood**  
**EAN code: 9341584031075 (IVUM90)**  
 Product Size: 900W x 290D

#### FOLLOW US:



Page 2/2  
17062020

Australia National Telephone Number 1300 MYILVE (694 583) New Zealand Telephone Number 0508 458 369  
 ILVE showrooms are open daily from 9am-5pm and Saturdays 10am-4pm

[ilve.com.au](http://ilve.com.au)

#### NSW & ACT (Head Office)

48-50 Moore Street  
 Leichhardt  
 F 02 8569 4699

#### VIC & SA

1211 Toorak Road  
 Camberwell  
 F 03 9809 2155

#### QLD

1/42 Cavendish Road  
 Coorparoo  
 F 07 3397 0850

#### WA & NT

Unit 10/55 Howe Street  
 Osborne Park  
 F 08 9201 9188

#### New Zealand

PO Box 11.160  
 Sockburn Christchurch  
 F 03 344 5906

**DISCLAIMER**  
 Eurolinx PTY LTD, trading as ILVE Appliances, is continually seeking ways to improve the design specifications, aesthetics and production techniques of its products. As a result alterations to our products and designs take place continually. Whilst every effort is made to produce information and literature that is up to date, this brochure should not be regarded as an infallible guide to the current specifications, nor does it constitute an offer for the sale of any particular product. Product dimensions indicated in our literature is indicative only. Actual product only should be used to define dimension cutouts. Distributors, and retailers are not agents of ILVE Appliances and are not authorized to bind ILVE Appliances by any express or implied undertaking or representation.