

# ILVE COMMERCIAL

## MULTI-RESIDENTIAL & HOME BUILDER PRODUCT RANGE



### IVG601X1 60CM CANOPY RANGE HOOD



24 MONTH  
WARRANTY



60CM  
WIDE



HALOGEN  
GLOBE



#### IVG601X1 CANOPY HOOD

##### FEATURES

- 3 variable speeds
- AS430 stainless steel
- electronic push-button controls
- 2 halogen lights
- recirculate or duct direct
- supplied with & plug power cord

##### SAFETY

- Motor cut out fire protection

##### CLEANING

- Filter cleaning in warm soapy water

##### FILTERS

- Honeycomb aluminium mesh filters

##### MOTOR

- Max. air flow (m<sup>3</sup>/h): 850 net
- Noise (dB): 67
- Twin turbine high velocity centrifugal fan, optional in-line motor is available to assist air flow

##### DETAILED INFORMATION

- Size: 60cm & 90cm
- Easy installation
- 10 amps power requirement

##### OPTIONAL EXTRA

- x 2 Charcoal Filters: D-HXT6010A

Range hood extraction rate m<sup>3</sup>/hr reading is measured at 1m duct up, 1x90° C bend and 1m vertical duct

##### Standard Option - Range Hood Colour



Stainless Steel

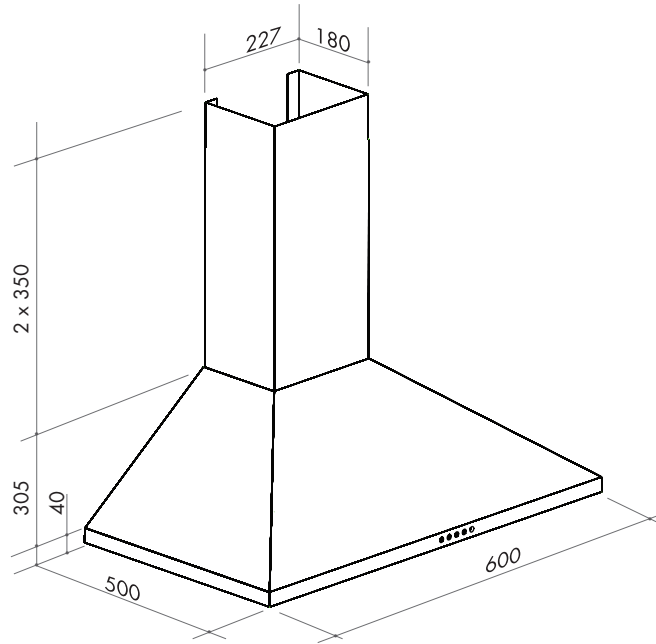


# ILVE COMMERCIAL

## MULTI-RESIDENTIAL & HOME BUILDER PRODUCT RANGE



### IVG601X1 60CM CANOPY RANGE HOOD


**Rangehood**
**EAN code: 9341584037084 (IVG601X1)**

Product Size: 600W x 500D x 2x350H mm

NB: drawings are not to scale —  
they are to be used as a guide only

**FOLLOW US:**


/ilve\_appliances/



/ILVEappliances



/ILVE\_appliances



/ILVEappliances

 Page 2/2  
24042020

Australia National Telephone Number 1300 MYILVE (694 583) New Zealand Telephone Number 0508 458 369  
ILVE showrooms are open daily from 9am-5pm and Saturdays 10am-4pm

[ilve.com.au](http://ilve.com.au)
**NSW & ACT (Head Office)**

48-50 Moore Street  
Leichhardt  
F 02 8569 4699

**VIC & SA**

1211 Toorak Road  
Camberwell  
F 03 9809 2155

**QLD**

1/42 Cavendish Road  
Coorparoo  
F 07 3397 0850

**WA & NT**

Unit 10/55 Howe Street  
Osborne Park  
F 08 9201 9188

**New Zealand**

PO Box 11.160  
Sockburn Christchurch  
F 03 344 5906

**DISCLAIMER**  
Eurolinx PTY LTD, trading as ILVE Appliances, is continually seeking ways to improve the design specifications, aesthetics and production techniques of its products. As a result alterations to our products and designs take place continually. Whilst every effort is made to produce information and literature that is up to date, this brochure should not be regarded as an infallible guide to the current specifications, nor does it constitute an offer for the sale of any particular product. Product dimensions indicated in our literature is indicative only. Actual product only should be used to define dimension cutouts. Distributors, and retailers are not agents of ILVE Appliances and are not authorized to bind ILVE Appliances by any express or implied undertaking or representation.