

COMMERCIAL PRODUCT

**IVDFI45**

**45cm-wide fully-integrated dishwasher**

**SIZE mm** 448W x 550D (door closed) x 815H  
**FINISH** stainless steel interior  
door panel & kick panel supplied and fitted by builder

**CAPACITY** 9 place settings  
**FEATURES**

- electronic controls
- 6 wash programs
- functions: power, programs, delay, half load, extra drying
- ECO wash program
- flowmeter
- 49 dBA
- delay start 1–24 hours
- adjustable height upper basket (lift up)
- collapsible racks (lower level)
- stainless steel removable filter
- half wash option
- anti-flood device
- residual heat drying
- extra drying option
- cold water connection
- VDE hose

**POWER** 10 amp, 3-pin plug



PROGRAM	LOAD	CYCLE	DETERGENT pre/main gr	DURATION minutes	ENERGY kW/hr	WATER litres	RINSE AID
<b>intensive</b>	for heaviest soiled loads, eg pots, pans, casserole dishes, and dishes that have been sitting with dried food on them for a while	prewash 50°C/prewash wash 65°C rinse/rinse/rinse 55°C drying	5/21.25g (one piece)	165	1.4	16.5	✓
<b>heavy</b>	for heavily soiled loads, eg pots, plates, glasses and lightly soiled pans; standard daily cycle	prewash 50°C/wash 50°C rinse/rinse 65°C drying	5/21.25g (one piece)	175	1.1	13	✓
<b>ECO</b> <b>ECO</b>	for heavily soiled loads such as pots, plates & glasses and lightly soiled pans; standard daily cycle	prewash   wash 45°C rinse 45°C drying	5/21.25g (one piece)	175	0.55	10.9	✓
<b>glass</b>	for lightly soiled crockery and glass	prewash/wash 40°C rinse/rinse 50°C drying	5/21.25g (one piece)	125	0.75	13.5	✓
<b>90 min</b>	for lightly soiled loads that do not need drying	wash 60°C rinse/rinse 50°C drying	26.25g (one piece)	90	1.15	11.5	✓
<b>rapid</b>	a shorter wash for lightly soiled loads that do not need drying	wash 40°C rinse/rinse 45°C	20g	30	0.7	10	

\* AS/NZS 2007.1: Test cycle program | ✓ Rinse Aid required  
NB: We recommend opening door 50mm at end of wash to assist drying

**EAN 934158036162**

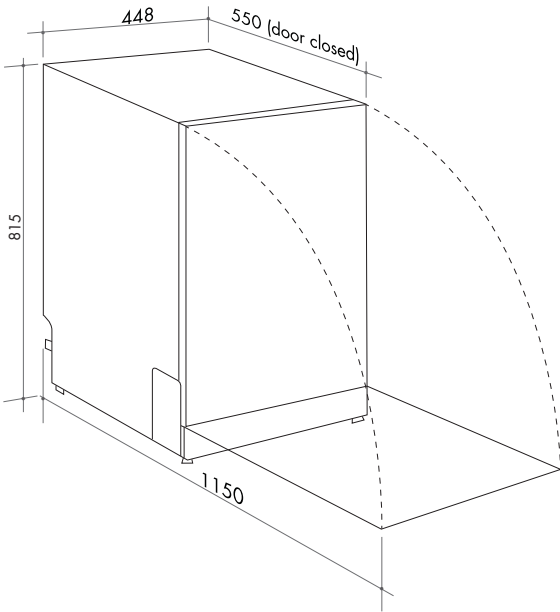
DISCLAIMER

EuroInx Pty Ltd, trading as ILVE Appliances, is continually seeking ways to improve the design specifications, aesthetics and production techniques of its products. As a result alterations to our products and designs take place continually. Whilst every effort is made to produce information and literature that is up to date, this brochure should not be regarded as an infallible guide to the current specifications, nor does it constitute an offer for the sale of any particular product. Product dimensions indicated in our literature is indicative only. Actual product only should be used to define dimension cutouts. Distributors, and retailers are not agents of ILVE Appliances and are not authorized to bind ILVE Appliances by any express or implied undertaking or representation.

COMMERCIAL PRODUCT

IVDFI45

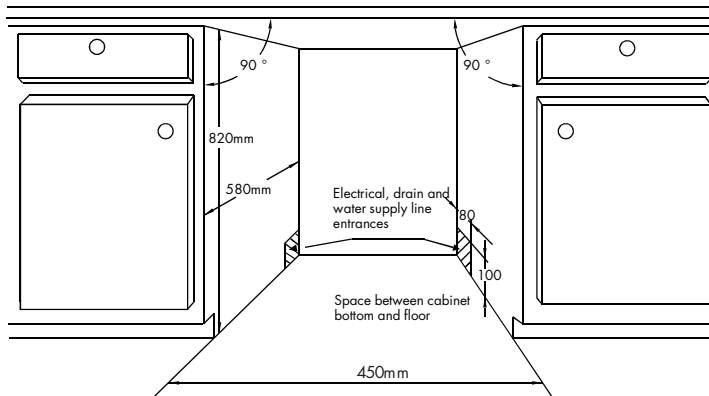
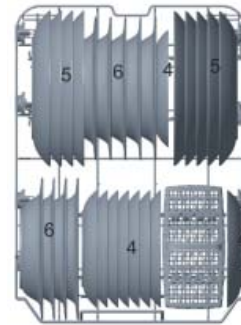
45cm-wide fully-integrated dishwasher



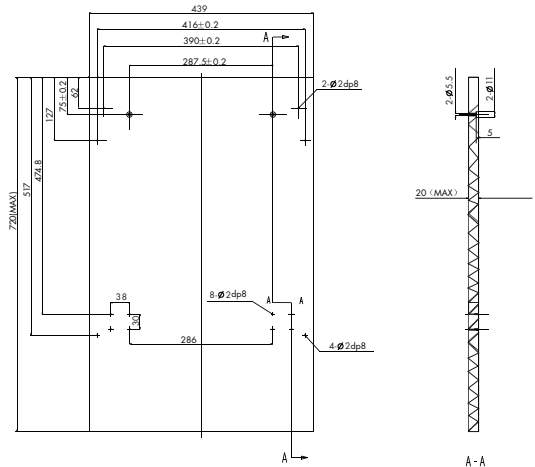
UPPER BASKET



LOWER BASKET



Cabinet dimensions less than 5mm between top of dishwasher and cabinet and the outer door aligned to cabinet.



16

DOOR PANEL

NB: drawings are not to scale — they are to be used as a guide only. For detailed installation instructions, please refer to user guide.

You can find us on:

facebook.com/ILVEappliances

twitter.com/ILVE\_appliances

youtube.com/ILVEappliances

BLOG livewithilve.com

Australia National Telephone Number 1300 MYILVE (694 583) New Zealand Telephone Number 0508 458 369  
ILVE showrooms are open Tuesday to Friday from 9am-5pm and Saturdays 10am-4pm

ilve.com.au

**NSW & ACT**  
(head office)

48 Moore Street  
Leichhardt  
02 8569 4699

**VIC | SA**

1211 Toorak Road  
CAMBERWELL  
03 9809 2155

**TASMANIA**

3 Pear Avenue  
DERWENT PARK 7009  
03 6272 7386

**QLD**

1/42 Cavendish Road  
COORPAROO  
07 3397 0850

**WA | NT**

10/55 Howe Street  
OSBORNE PARK  
08 9201 9188

**New Zealand**

PO Box 11.160  
Sockburn Christchurch  
03 344 5906