

COMMERCIAL PRODUCT

**IV602BIM built-in microwave oven**



Our stainless steel microwave oven is designed to complement your choice of ILVE oven. Simple to use and made of the finest materials, with stainless steel used internally, this microwave is easily cleaned and maintained. Because microwave oven units are usually fitted to supplement the built-in oven, it is especially important that they match in design and colour. ILVE appliances are renowned for forming a perfectly integrated family of built-in appliances. That's why this microwave comes with an integrated trimkit to build in with your choice of ILVE oven.

<b>SIZE mm</b>	595W x 390H x 368D
<b>FINISH</b>	stainless steel exterior and interior
<b>CAPACITY</b>	25 litres
<b>FEATURES</b>	<ul style="list-style-type: none"> <li>• defrost function</li> <li>• child safety lock</li> <li>• 1000W grill</li> <li>• input power 1300W</li> <li>• output power 800W</li> <li>• 11 electronic programmable auto cook presets</li> <li>• 3 combi heat and grill options</li> <li>• separate grill and browning function</li> <li>• 6 power levels</li> <li>• digital display</li> <li>• integrated stainless steel trimkit</li> </ul>
<b>POWER</b>	



EAN 9341584033970

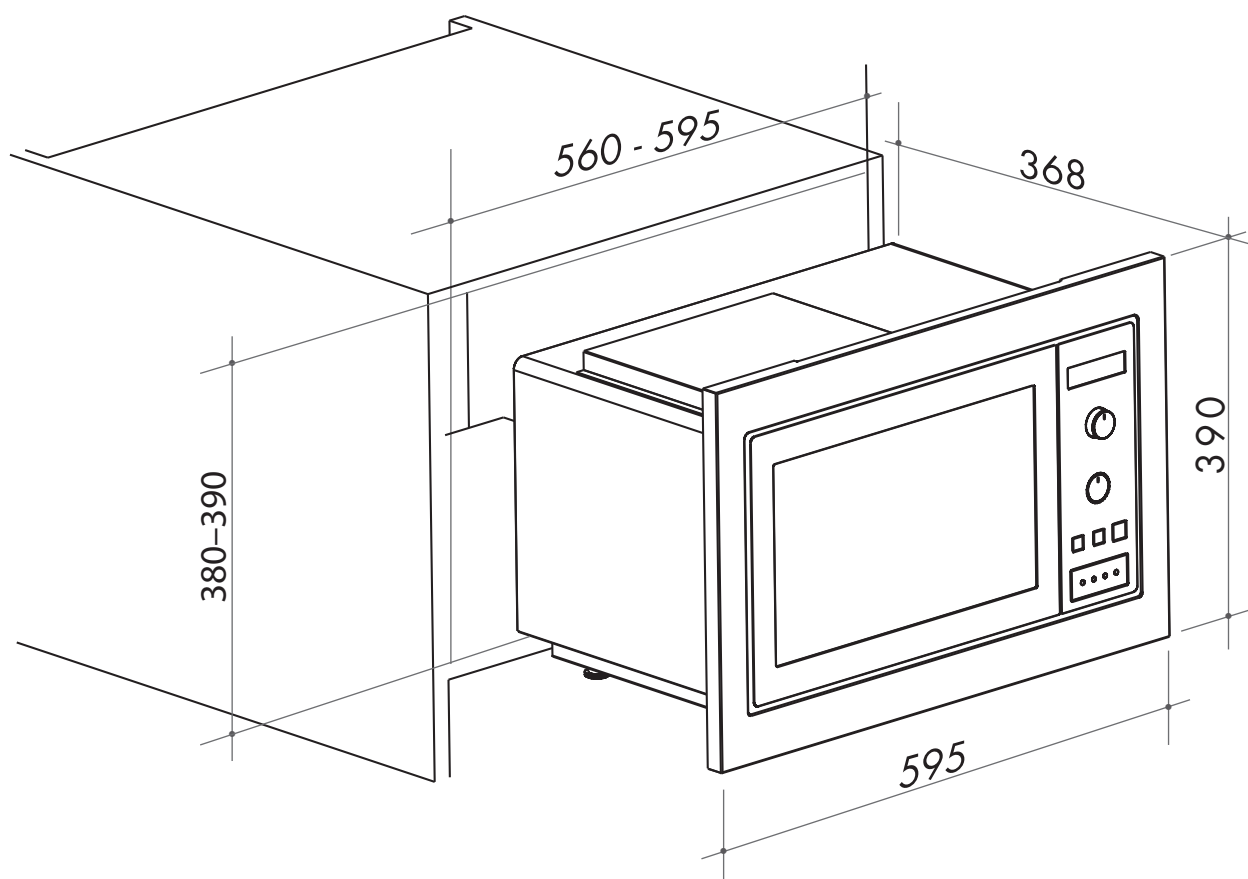
**DISCLAIMER**

Eurolinx Pty Ltd, trading as ILVE Appliances, is continually seeking ways to improve the design specifications, aesthetics and production techniques of its products. As a result alterations to our products and designs take place continually. Whilst every effort is made to produce information and literature that is up to date, this brochure should not be regarded as an infallible guide to the current specifications, nor does it constitute an offer for the sale of any particular product. Product dimensions indicated in our literature is indicative only. Actual product only should be used to define dimension cutouts. Distributors, and retailers are not agents of ILVE Appliances and are not authorized to bind ILVE Appliances by any express or implied undertaking or representation.

COMMERCIAL PRODUCT

IV602BIM built-in microwave oven

NB: drawings are not to scale —  
 they are to be used as a guide only



You can find us on:

 [facebook.com/ILVEappliances](https://facebook.com/ILVEappliances)

 [twitter.com/ILVE\\_appliances](https://twitter.com/ILVE_appliances)

 [youtube.com/ILVEappliances](https://youtube.com/ILVEappliances)

**BLOG** [livewithilve.com](http://livewithilve.com)  
 BLOG

Australia National Telephone Number 1300 MYILVE (694 583) New Zealand Telephone Number 0508 458 369  
 ILVE showrooms are open daily from 9am-5pm and Saturdays 10am-4pm (WA by appointment only on Saturdays)

[ilve.com.au](http://ilve.com.au)

**NSW & ACT (head office)**

48 Moore Street  
 Leichhardt  
 02 8569 4699

**VIC | TAS | SA**

1211 Toorak Road  
 CAMBERWELL  
 03 9809 2155

**QLD**

1/42 Cavendish Road  
 COORPAROO  
 07 3397 0850

**WA | NT**

10/55 Howe Street  
 OSBORNE PARK  
 08 9201 9188

**New Zealand**

PO Box 11.160  
 Sockburn Christchurch  
 03 344 5906