

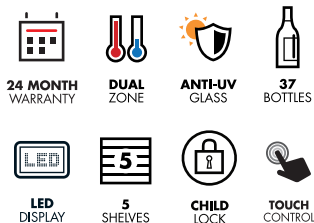
# ILVE COMMERCIAL

## MULTI-RESIDENTIAL & HOME BUILDER PRODUCT RANGE

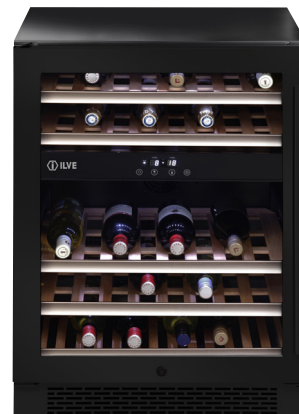


**ILWD37BV** 60CM DUAL ZONE WINE CELLAR

AVAILABILITY: JANUARY 2021



Capacity based on Bordeaux Bottles



\*image correct at the time of publishing

### ILWD37BV L&R WINE CABINET

#### FINISH

- Black glass door fascia
- Black interior and body

#### FEATURES

- Built-in or freestanding installation
- White LED temperature display
- R600a refrigerant
- Compressor cooling system
- Frost free
- Touch control
- 5 wooden shelves with stainless steel fascia

#### CAPACITY

- 37 bottles (750ml wine bottles)

#### DOOR

- Tinted anti-UV glass door
- 3 layered glass door
- Door lock / child lock
- Available with left or right hinge

#### TEMPERATURE

- 5°C-12°C temperature range upper compartment
- 12°C-18°C temperature range lower compartment
- Temperature alarm
- Temperature memory setting
- Temperature display panel
- >65% humidity

#### NOISE

- 45db/A

#### Standard Option - Product Colour



Black Glass

#### THE FIVE ESSENTIAL RULES OF WINE STORAGE

ILVE wine cellars ensure your wines are stored in the ideal cellaring conditions by respecting these 5 wine storage rules;

##### 1. STABLE TEMPERATURE BETWEEN 12°C - 14°C

Daily and weekly temperature fluctuations denature your wines. In particular, temperatures above 25°C will ruin wine within a couple of weeks and create 'spoiled fruit' flavours.

##### 2. HUMIDITY ABOVE 50%

Levels lower than this cause corks to dry out and shrink, allowing damaging air into the wine, creating oxidation and off-odours.

##### 3. DARK STORAGE AREA

All light should be avoided, but the UV light in particular: it creates hydrogen sulphide compounds in wine and affects the tannins and the colour of your wine.

##### 4. NO VIBRATIONS

Imperceptible vibrations prematurely deteriorate wine by speeding up chemical reactions and ageing.

##### 5. AIRFLOW

Lack of appropriate ventilation and air change makes wine cellars become stale and mouldy.

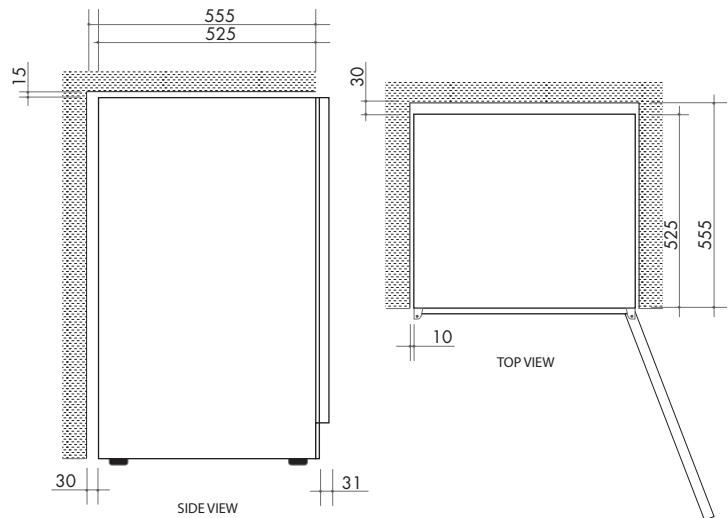
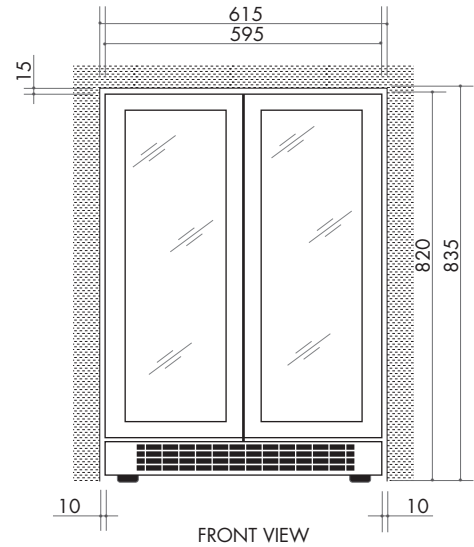
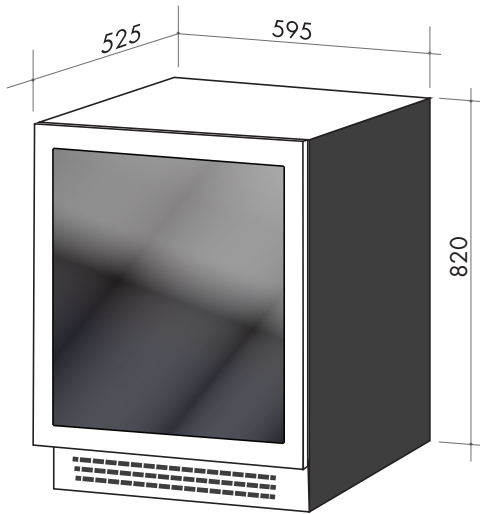


# ILVE COMMERCIAL

## MULTI-RESIDENTIAL & HOME BUILDER PRODUCT RANGE



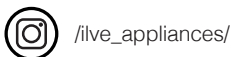
### ILWD37BV 60CM DUAL ZONE WINE CELLAR



**Wine Cellar**  
**EAN code: 9341584108500 (ILWD37BVL) or 9341584108517 (ILWD37BVR)**  
 Product Size: 595W x 820H x 525D  
 Daily energy consumption: 0.54 kWh  
 10 Amp plug and cord

NB: drawings are not to scale — they are to be used as a guide only

#### FOLLOW US:



Australia National Telephone Number 1300 MYILVE (694 583) New Zealand Telephone Number 0508 458 369  
 ILVE showrooms are open daily from 9am-5pm and Saturdays 10am-4pm

[ilve.com.au](http://ilve.com.au)

**NSW & ACT (Head Office)**  
 48-50 Moore Street  
 Leichhardt  
 F 02 8569 4699

**QLD**  
 1/42 Cavendish Road  
 Coorparoo  
 F 07 3397 0850

**WA & NT**  
 Unit 10/55 Howe Street  
 Osborne Park  
 F 08 9201 9188

**New Zealand**  
 PO Box 11.160  
 Sockburn Christchurch  
 F 03 344 5906

**DISCLAIMER**  
 Eurolinx PTY LTD, trading as ILVE Appliances, is continually seeking ways to improve the design specifications, aesthetics and production techniques of its products. As a result alterations to our products and designs take place continually. Whilst every effort is made to produce information and literature that is up to date, this brochure should not be regarded as an infallible guide to the current specifications, nor does it constitute an offer for the sale of any particular product. Product dimensions indicated in our literature is indicative only. Actual product only should be used to define dimension cutouts. Distributors, and retailers are not agents of ILVE Appliances and are not authorized to bind ILVE Appliances by any express or implied undertaking or representation.