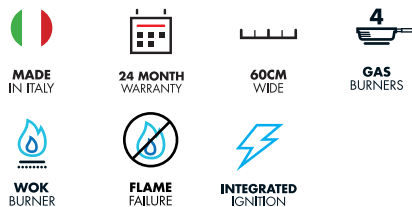


# ILVE COMMERCIAL

## MULTI-RESIDENTIAL & HOME BUILDER PRODUCT RANGE



### ILGP64WV 60CM BUILT-IN GAS COOKTOP



#### ILGP64WV 60CM GAS COOKTOP

##### FINISH

- White Glass
- single-press, seamless glass finish

##### FEATURES

- top mount
- individual cast-iron trivets
- side-front control knobs

##### SAFETY

- Flame failure device fitted to each burner
- Automatic electronic ignition

##### CLEANING

- Easy clean removable trivets and burners

##### BURNERS

- 4 gas burners:
  - 1 x auxiliary: 1.1 kWh
  - 2 x semi rapid: 1.8 kWh
  - 1 x wok: 4.5 kWh
- total gas consumption: 9.2 kWh

##### TECHNICAL INFORMATION

- 10 amp electrical connection, plug & lead supplied
- ULPG adaptable

##### Standard Option - Cooktop Colour



Stainless Steel    Black Glass    White Glass

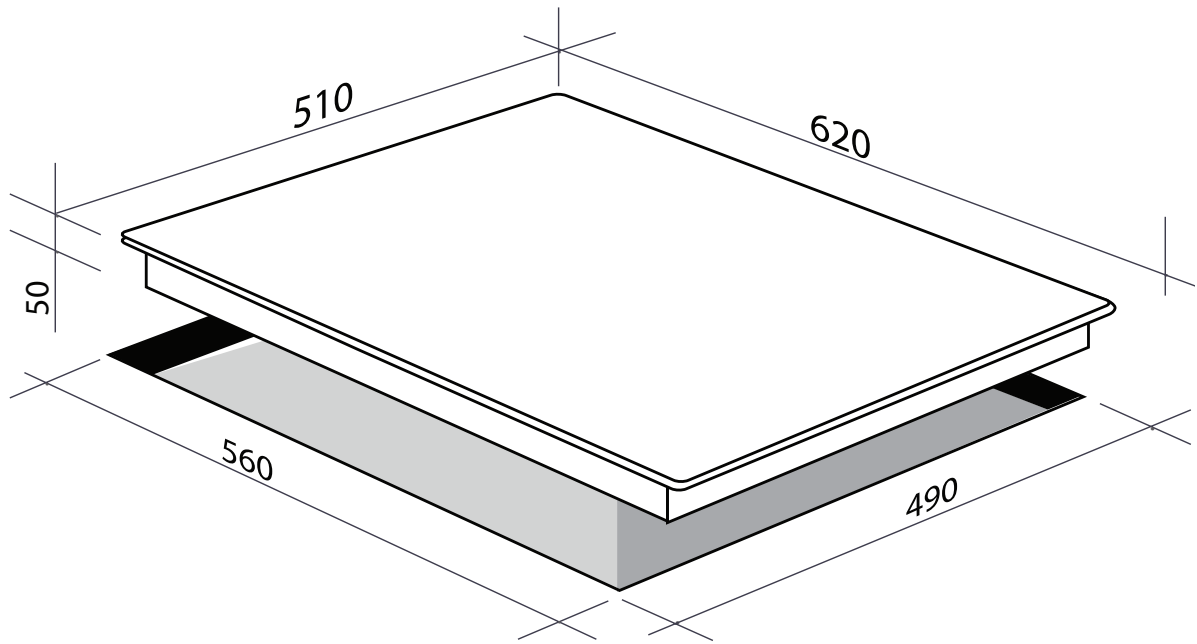


# ILVE COMMERCIAL

## MULTI-RESIDENTIAL & HOME BUILDER PRODUCT RANGE



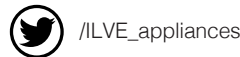
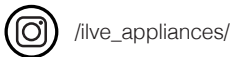
**ILGP64WV** 60CM BUILT-IN GAS COOKTOP



**i** Cooktop  
**EAN code: 9341584033826 (ILGP64WV)**  
 Product Size: 620W x 510D x 50H  
 Cutout Size: CUTOUT: 560W x 490D

NB: drawings are not to scale — they are to be used as a guide only

**FOLLOW US:**



Australia National Telephone Number 1300 MYILVE (694 583) New Zealand Telephone Number 0508 458 369  
 ILVE showrooms are open daily from 9am-5pm and Saturdays 10am-4pm

**ilve.com.au**

**NSW & ACT (Head Office)**

48-50 Moore Street  
 Leichhardt  
 F 02 8569 4699

**VIC & SA**

1211 Toorak Road  
 Camberwell  
 F 03 9809 2155

**QLD**

1/42 Cavendish Road  
 Coorparoo  
 F 07 3397 0850

**WA & NT**

Unit 10/55 Howe Street  
 Osborne Park  
 F 08 9201 9188

**New Zealand**

PO Box 11.160  
 Sockburn Christchurch  
 F 03 344 5906

**DISCLAIMER**  
 Eurolinx PTY LTD, trading as ILVE Appliances, is continually seeking ways to improve the design specifications, aesthetics and production techniques of its products. As a result alterations to our products and designs take place continually. Whilst every effort is made to produce information and literature that is up to date, this brochure should not be regarded as an infallible guide to the current specifications, nor does it constitute an offer for the sale of any particular product. Product dimensions indicated in our literature is indicative only. Actual product only should be used to define dimension cutouts. Distributors, and retailers are not agents of ILVE Appliances and are not authorized to bind ILVE Appliances by any express or implied undertaking or representation.