

# ILVE COMMERCIAL

## MULTI-RESIDENTIAL & HOME BUILDER PRODUCT RANGE



### ILFM775KX 77CM FLUSHLINE GAS COOKTOP



MADE  
IN ITALY



24 MONTH  
WARRANTY



77CM  
WIDE



5  
GAS  
BURNERS



WOK  
BURNER



FLAME  
FAILURE



INTEGRATED  
IGNITION



SEMI-FLUSH  
TOP



#### ILFM 775 KX 77CM FLUSHLINE GAS COOKTOP

##### FINISH

- Stainless Steel

##### FEATURES

- Piano style
- Extra slim profile
- Stainless Steel
- Flush or semi-flush mount installation
- Front control knobs
- Slim line cast-iron trivets

##### SAFETY

- Flame failure device fitted to each burner
- Automatic electronic ignition

##### BURNERS

- 5 gas burners:
  - 1 x auxiliary: 1.1 kWh
  - 2 x semi rapid: 1.8 kWh
  - 1 x rapid: 3.1 kWh
  - 1 x WOK: 4.3 kWh
- 12.1 kWh total consumption

##### TECHNICAL INFORMATION

- 10 amp electrical connection, plug & lead supplied
- ULPG adaptable
- \* Also available in 90cm width (Model: ILFM 905 KX)

##### Standard Option - Cooktop Colour



Stainless Steel

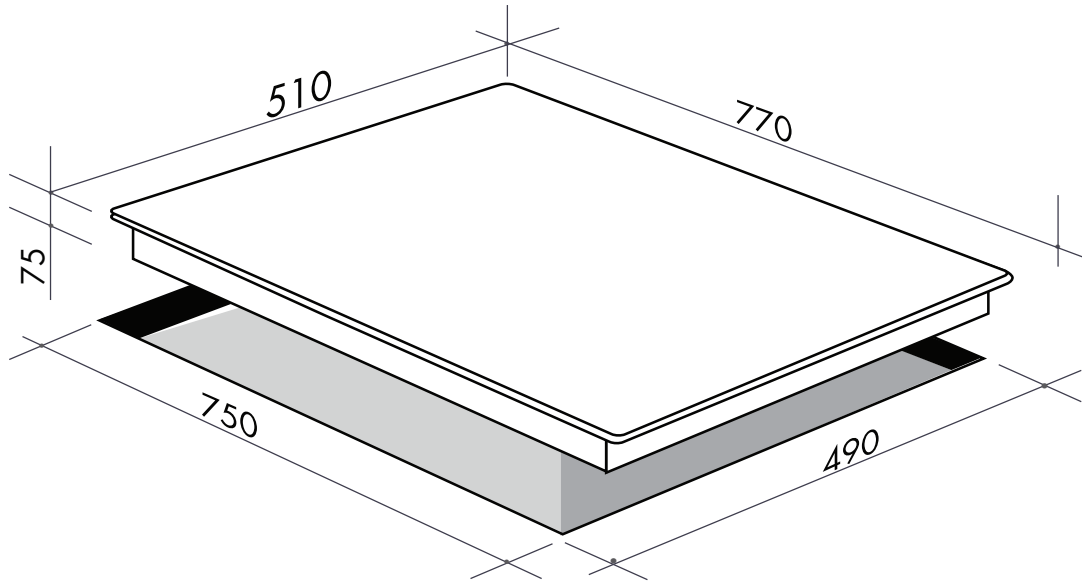


# ILVE COMMERCIAL

## MULTI-RESIDENTIAL & HOME BUILDER PRODUCT RANGE



**ILFM775KX** 77CM FLUSHLINE GAS COOKTOP

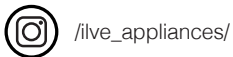


**i** Cooktop  
**EAN code: 9341584032522 (ILFM775KX)**  
 Product Size: 770W x 510D x 75H mm  
 Cutout Size: 750W X 490D mm

NB: drawings are not to scale — they are to be used as a guide only

**FOLLOW US:**

Page 2/2  
24042020



Australia National Telephone Number 1300 MYILVE (694 583) New Zealand Telephone Number 0508 458 369  
 ILVE showrooms are open daily from 9am-5pm and Saturdays 10am-4pm

**ilve.com.au**

**NSW & ACT (Head Office)**

48-50 Moore Street  
 Leichhardt  
 F 02 8569 4699

**VIC & SA**

1211 Toorak Road  
 Camberwell  
 F 03 9809 2155

**QLD**

1/42 Cavendish Road  
 Coorparoo  
 F 07 3397 0850

**WA & NT**

Unit 10/55 Howe Street  
 Osborne Park  
 F 08 9201 9188

**New Zealand**

PO Box 11.160  
 Sockburn Christchurch  
 F 03 344 5906

**DISCLAIMER**  
 Eurolinx PTY LTD, trading as ILVE Appliances, is continually seeking ways to improve the design specifications, aesthetics and production techniques of its products. As a result alterations to our products and designs take place continually. Whilst every effort is made to produce information and literature that is up to date, this brochure should not be regarded as an infallible guide to the current specifications, nor does it constitute an offer for the sale of any particular product. Product dimensions indicated in our literature is indicative only. Actual product only should be used to define dimension cutouts. Distributors, and retailers are not agents of ILVE Appliances and are not authorized to bind ILVE Appliances by any express or implied undertaking or representation.