

# ILVE COMMERCIAL

## MULTI-RESIDENTIAL & HOME BUILDER PRODUCT RANGE

### ILC90B 90CM VITRO-CERAMIC COOKTOP



24 MONTH  
WARRANTY



90CM  
WIDE



4  
ELECTRIC  
ZONES



9 HEAT  
LEVELS



FAST  
PRE-HEAT



CERAMIC  
COOKTOP



TOUCH  
CONTROL



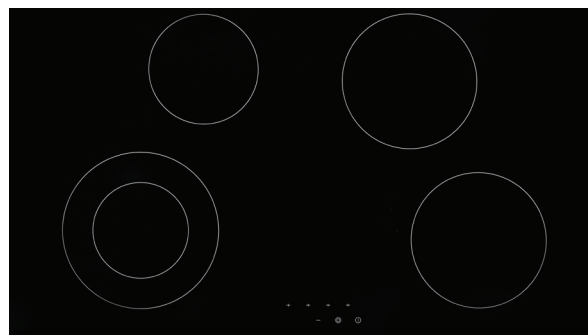
CHILD  
LOCK



RED  
DISPLAY



AUTO  
STOP



#### ILC90B 90CM VITRO-CERAMIC COOKTOP

##### FINISH

- Kera Black + glass with C-edges

##### FEATURES

- ergonomic design
- touch control with direct access to 9 heating levels (0-9)
- red display
- patented foam touch controls with capacitors
- flush mount

##### SAFETY

- auto-stop
- child lock
- 4x residual heat indicators
- fast heat-up time

##### CLEANING

- Easy clean smooth Black Glass surface

##### ZONES

- front left: Ø180mm, 1800W
- rear left: Ø145mm, 1200W
- rear right: Ø180mm, 1800W
- front right: Ø145mm, 1200W

##### POWER CONSUMPTION

- Total power consumption: 7 kw

##### Standard Option - Cooktop Colour



Black Glass

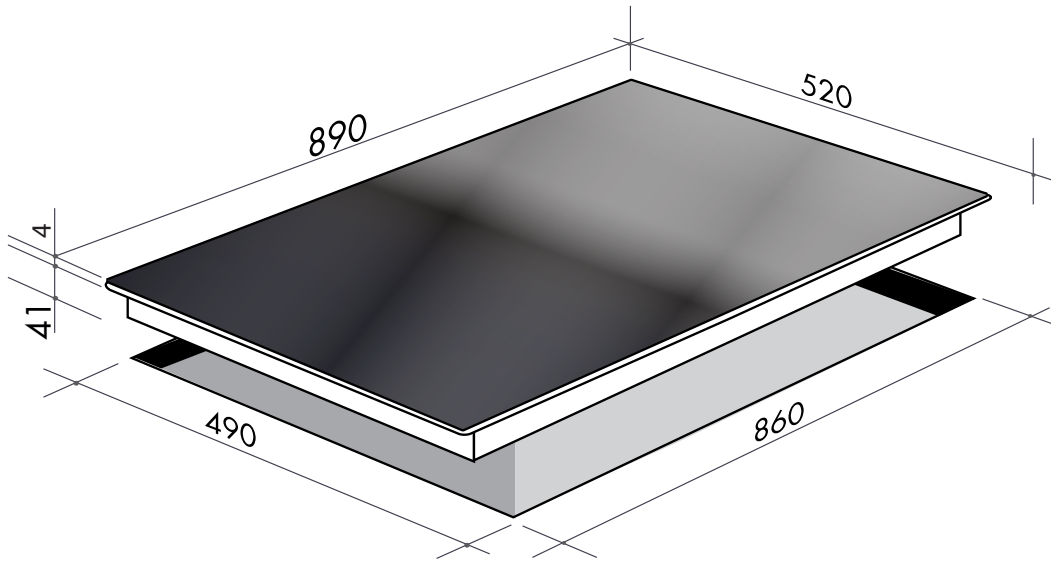


# ILVE COMMERCIAL

## MULTI-RESIDENTIAL & HOME BUILDER PRODUCT RANGE



### ILC90B 90CM VITRO-CERAMIC COOKTOP



**Cooktop**  
**EAN code: 9341584032188 (ILC90B)**  
 Product Size: 890W x 520D x 41H + 4mm glass  
 Cutout Size: 860W x 490D mm

NB: drawings are not to scale — they are to be used as a guide only

#### FOLLOW US:



/ilve\_appliances/



/ILVEappliances



/ILVE\_appliances



/ILVEappliances

Page 2/2  
24042020

Australia National Telephone Number 1300 MYILVE (694 583) New Zealand Telephone Number 0508 458 369  
 ILVE showrooms are open daily from 9am-5pm and Saturdays 10am-4pm

[ilve.com.au](http://ilve.com.au)

#### NSW & ACT (Head Office)

48-50 Moore Street  
 Leichhardt  
 F 02 8569 4699

#### VIC & SA

1211 Toorak Road  
 Camberwell  
 F 03 9809 2155

#### QLD

1/42 Cavendish Road  
 Coorparoo  
 F 07 3397 0850

#### WA & NT

Unit 10/55 Howe Street  
 Osborne Park  
 F 08 9201 9188

#### New Zealand

PO Box 11.160  
 Sockburn Christchurch  
 F 03 344 5906

**DISCLAIMER**  
 Eurolinx PTY LTD, trading as ILVE Appliances, is continually seeking ways to improve the design specifications, aesthetics and production techniques of its products. As a result alterations to our products and designs take place continually. Whilst every effort is made to produce information and literature that is up to date, this brochure should not be regarded as an infallible guide to the current specifications, nor does it constitute an offer for the sale of any particular product. Product dimensions indicated in our literature is indicative only. Actual product only should be used to define dimension cutouts. Distributors, and retailers are not agents of ILVE Appliances and are not authorized to bind ILVE Appliances by any express or implied undertaking or representation.