

# ILVE COMMERCIAL

## MULTI-RESIDENTIAL & HOME BUILDER PRODUCT RANGE



### H15-W 90CM CANOPY RANGE HOOD



24 MONTH  
WARRANTY



90CM  
WIDE



MOTOR  
CUT OUT FIRE  
PROTECTION



HALOGEN  
GLOBE



#### H15-W CANOPY HOOD

##### FEATURES

- electronic push button with variable speed
- 2 x 20W halogen globes
- adjustable and delayed self
- switch-off feature
- Ø150mm ducting

##### SAFETY

- Motor cut out fire protection

##### CLEANING

- Filter cleaning in warm soapy water

##### FILTERS

- light indicator for grease filter maintenance

##### MOTOR

- 930m<sup>3</sup>/hr
- 54dBA
- double turbine fan
- single motor

##### DETAILED INFORMATION

- stainless steel — available with black or white fascia
- 10 amps

##### OPTIONAL EXTRA

- x 2 Charcoal Filters: 0051H0100

Range hood extraction rate m<sup>3</sup>/hr reading is measured at 1m duct up, 1x90° C bend and 1m vertical duct

#### Standard Option - Range Hood Colour



Stainless Steel

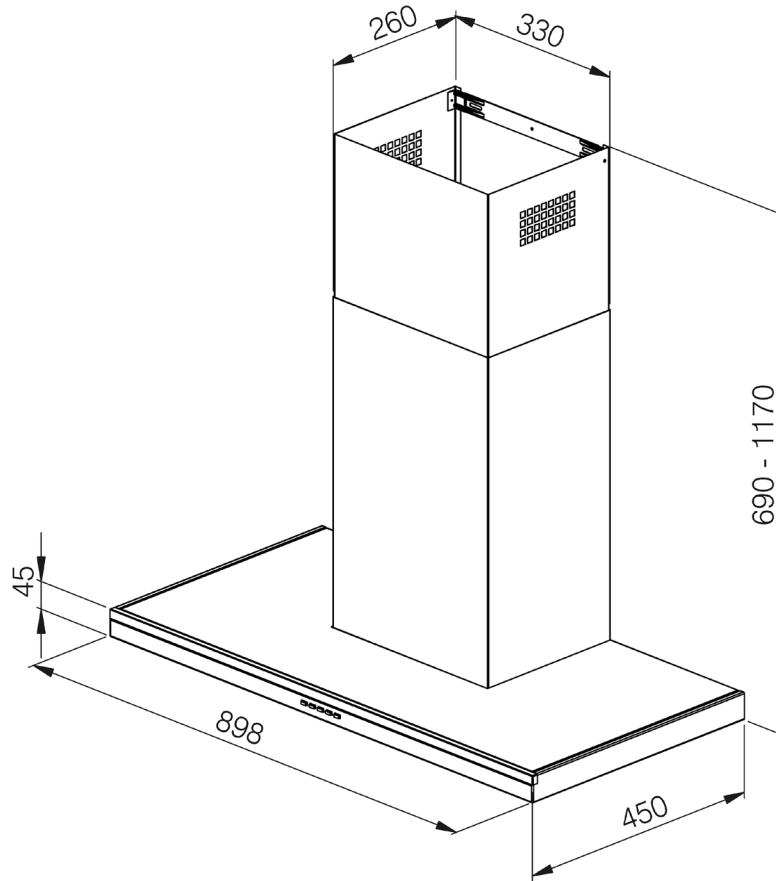


# ILVE COMMERCIAL

## MULTI-RESIDENTIAL & HOME BUILDER PRODUCT RANGE



### H15-W 90CM CANOPY RANGE HOOD


**Rangehood**
**EAN code: 9341584031143 (H15-W)**

Product Size: 898W x 450D x 690-1170H mm

 NB: drawings are not to scale —  
they are to be used as a guide only

**FOLLOW US:**


/ilve\_appliances/



/ILVEappliances



/ILVE\_appliances



/ILVEappliances

 Page 2/2  
16062020

 Australia National Telephone Number 1300 MYILVE (694 583) New Zealand Telephone Number 0508 458 369  
 ILVE showrooms are open daily from 9am-5pm and Saturdays 10am-4pm

[ilve.com.au](http://ilve.com.au)
**NSW & ACT (Head Office)**

 48-50 Moore Street  
 Leichhardt  
 F 02 8569 4699

**VIC & SA**

 1211 Toorak Road  
 Camberwell  
 F 03 9809 2155

**QLD**

 1/42 Cavendish Road  
 Coorparoo  
 F 07 3397 0850

**WA & NT**

 Unit 10/55 Howe Street  
 Osborne Park  
 F 08 9201 9188

**New Zealand**

 PO Box 11.160  
 Sockburn Christchurch  
 F 03 344 5906

**DISCLAIMER**  
 Eurolinx PTY LTD, trading as ILVE Appliances, is continually seeking ways to improve the design specifications, aesthetics and production techniques of its products. As a result alterations to our products and designs take place continually. Whilst every effort is made to produce information and literature that is up to date, this brochure should not be regarded as an infallible guide to the current specifications, nor does it constitute an offer for the sale of any particular product. Product dimensions indicated in our literature is indicative only. Actual product only should be used to define dimension cutouts. Distributors, and retailers are not agents of ILVE Appliances and are not authorized to bind ILVE Appliances by any express or implied undertaking or representation.