

## COMMERCIAL PRODUCT

**CU89**

**concealed undermount rangehood**

ILVE's concealed rangehoods craftily stand above the rest. Their powerful highspeed fan removes cooking odours, smoke and vapour from the kitchen, while extremely fine filters trap all grime. In-built halogen lights produce a natural brightness, illuminating your cooking area, and the streamlined electronic control panel ensures whisper quiet air extraction is at your fingertips.

It's easy to see that ILVE Rangehood's are built to extract!



- |                 |  |
|-----------------|--|
| <b>SIZE mm</b>  | 60cm, 70cm & 90cm available  |
| <b>FINISH</b>   | AS304 stainless steel  |
| <b>CAPACITY</b> | 920m <sup>3</sup> /hr net  |
| <b>FEATURES</b> | <ul style="list-style-type: none"> <li>• made and purpose-built to suit all ILVE appliances</li> <li>• dual fan motor, for quiet operation</li> <li>• 3 speed variation</li> <li>• totally concealed</li> <li>• filters: aluminium</li> <li>• control: slide control</li> <li>• lighting: two spotlights</li> <li>• noise (dBA): low 35 - high 62</li> <li>• ducting outlet: 150 mm</li> <li>• ducting: duct out or re-circulating</li> <li>• available colour: stainless steel</li> </ul> |
| <b>POWER</b>    | 10 Amp plug  |



LIVE WITH  
**ILVE**  
**2 YEARS**  
PARTS & LABOUR  
WARRANTY

60cm: EAN 9341584034526    70cm: EAN 9341584034533    90cm: EAN 9341584034540

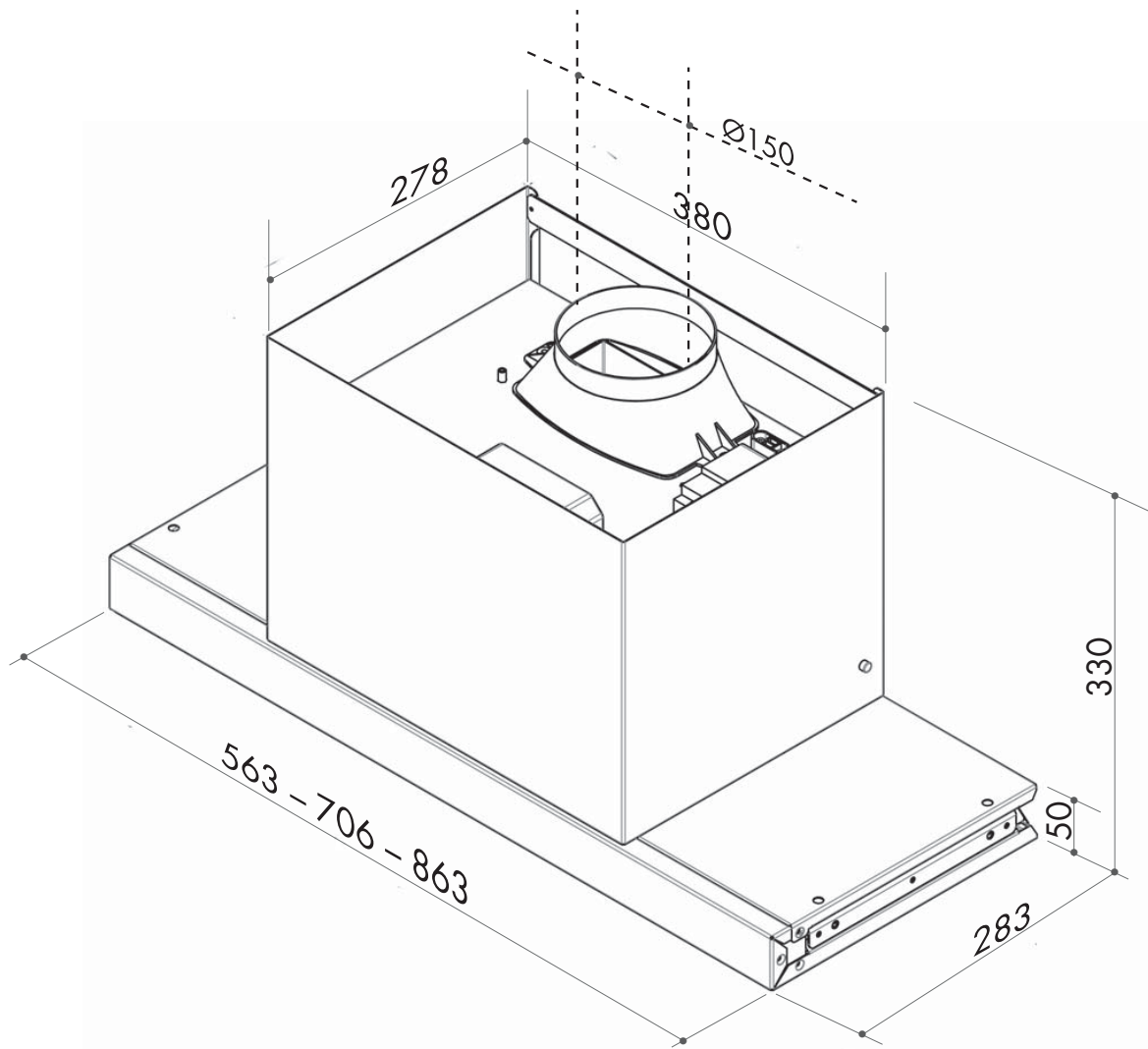
**DISCLAIMER**

EuroInx Pty Ltd, trading as ILVE Appliances, is continually seeking ways to improve the design specifications, aesthetics and production techniques of its products. As a result alterations to our products and designs take place continually. Whilst every effort is made to produce information and literature that is up to date, this brochure should not be regarded as an infallible guide to the current specifications, nor does it constitute an offer for the sale of any particular product. Product dimensions indicated in our literature is indicative only. Actual product only should be used to define dimension cutouts. Distributors, and retailers are not agents of ILVE Appliances and are not authorized to bind ILVE Appliances by any express or implied undertaking or representation.

COMMERCIAL PRODUCT

CU89

concealed undermount rangehood



NB: drawings are not to scale — they are to be used as a guide only.  
For detailed installation instructions, please refer to user guide.

You can find us on:

 [facebook.com/ILVEappliances](https://facebook.com/ILVEappliances)

 [twitter.com/ILVE\\_appliances](https://twitter.com/ILVE_appliances)

 [youtube.com/ILVEappliances](https://youtube.com/ILVEappliances)

 [livelwithilve.com](https://livelwithilve.com)

Australia National Telephone Number 1300 MYILVE (694 583) New Zealand Telephone Number 0508 458 369  
ILVE showrooms are open daily from 9am-5pm and Saturdays 10am-4pm (WA by appointment only on Saturdays)

[ilve.com.au](https://ilve.com.au)

**NSW & ACT**  
(head office)

48 Moore Street  
Leichhardt  
02 8569 4699

**VIC | SA**

1211 Toorak Road  
CAMBERWELL  
03 9809 2155

**TASMANIA**

Crisp Ikin  
3 Pear Avenue  
DERWENT PARK 7009  
03 6272 7386

**QLD**

1/42 Cavendish Road  
COORPAROO  
07 3397 0850

**WA | NT**

10/55 Howe Street  
OSBORNE PARK  
08 9201 9188

**New Zealand**

PO Box 11.160  
Sockburn Christchurch  
03 344 5906