

ILVE COMMERCIAL

MULTI-RESIDENTIAL & HOME BUILDER PRODUCT RANGE



CSFR-60 60CM FRONT RE-CIRCULATING SLIDE OUT RANGE HOOD



24 MONTH
WARRANTY



60CM
WIDE



MOTOR
CUT OUT FIRE
PROTECTION



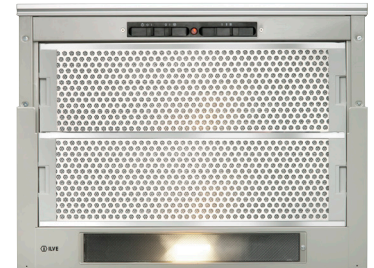
SPACE
SAVING



LOW
NOISE



*Optional 60cm front rail — supplied in box
70mm high
20mm deep (side)
20mm deep (top)
600mm wide*



CSFR60 CONCEALED HOOD

FINISH

- Stainless steel

FEATURES

- slider controls
- 3 extraction levels
- 1 x E-14 energy-saving 9W lamp
- 120mm outlet diameter
- installation with outlet tube to the exterior/recirculating
- easy installation system

SAFETY

- Motor cut out fire protection

CLEANING

- Filter cleaning in warm soapy water

FILTERS

- aluminium filter
- 2 anti-grease filters

MOTOR

- Maximum airflow (m³/h): 350m³/hr net
- noise (dB): 65 maximum
- maximum power consumption 180W
- 310m³/hr net airflow

DETAILED INFORMATION

- Size: 60cm & 90cm
- standard 40mm aluminium front rail supplied: extra 70mm rail also included for use in recirculating mode
- charcoal filter supplied for re-circulating (the charcoal filter will need to be replaced periodically depending on use, replacement filters are available from ILVE)

OPTIONAL EXTRA

- Charcoal filter: 02846762

Range hood extraction rate m³/hr reading is measured at 1m duct up, 1x90° C bend and 1m vertical duct

Standard Option - Range Hood Colour



Stainless Steel

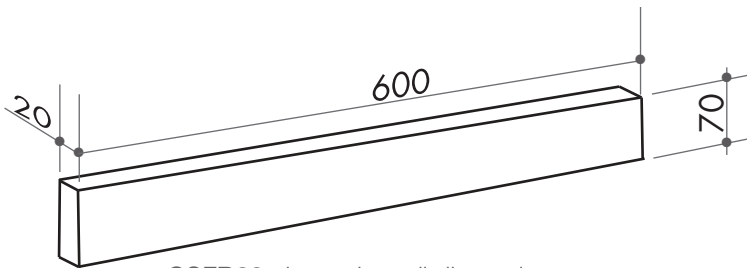
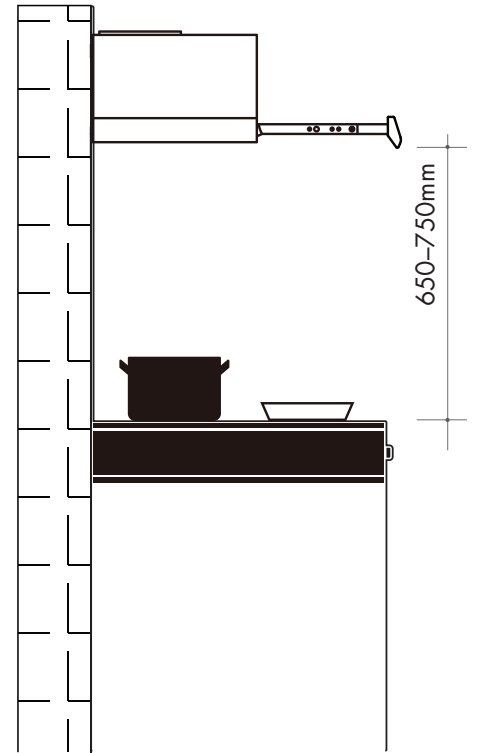
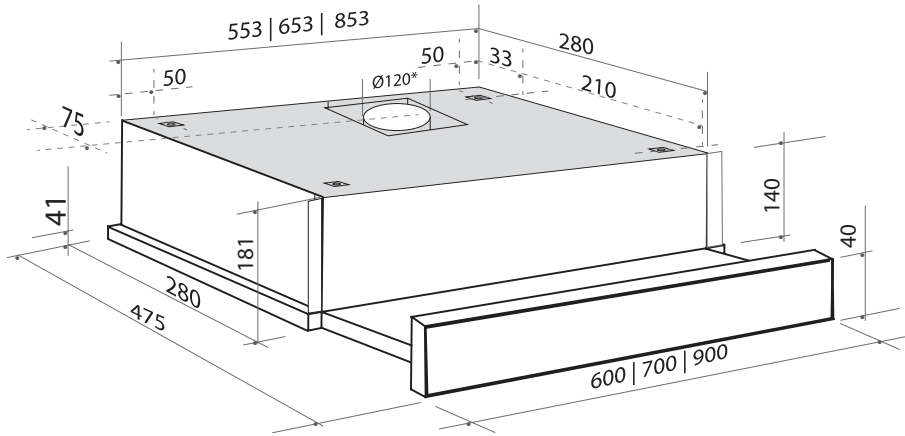


ILVE COMMERCIAL

MULTI-RESIDENTIAL & HOME BUILDER PRODUCT RANGE



CSFR-60 60CM FRONT RE-CIRCULATING SLIDE OUT RANGE HOOD

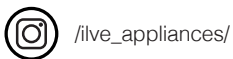


CSFR60 alternative rail dimensions

i Rangehood
 EAN code: 9341584035295 (CSFR-60)
 Product Size: 600W x 280-475D x 181H mm

NB: drawings are not to scale — they are to be used as a guide only

FOLLOW US:



Page
20072020

Australia National Telephone Number 1300 MYILVE (694 583) New Zealand Telephone Number 0508 458 369
 ILVE showrooms are open daily from 9am-5pm and Saturdays 10am-4pm

ilve.com.au

NSW & ACT (Head Office)
 48-50 Moore Street
 Leichhardt
 F 02 8569 4699

VIC & SA
 1211 Toorak Road
 Camberwell
 F 03 9809 2155

QLD
 1/42 Cavendish Road
 Coorparoo
 F 07 3397 0850

WA & NT
 Unit 10/55 Howe Street
 Osborne Park
 F 08 9201 9188

New Zealand
 PO Box 11.160
 Sockburn Christchurch
 F 03 344 5906

DISCLAIMER
 Eurolinx PTY LTD, trading as ILVE Appliances, is continually seeking ways to improve the design specifications, aesthetics and production techniques of its products. As a result alterations to our products and designs take place continually. Whilst every effort is made to produce information and literature that is up to date, this brochure should not be regarded as an infallible guide to the current specifications, nor does it constitute an offer for the sale of any particular product. Product dimensions indicated in our literature is indicative only. Actual product only should be used to define dimension cutouts. Distributors, and retailers are not agents of ILVE Appliances and are not authorized to bind ILVE Appliances by any express or implied undertaking or representation.