

COMMERCIAL PRODUCT

IVFSM634X

built-in or freestanding microwave oven

Our stainless steel microwave ovens are designed to complement your choice of ILVE oven. Simple to use and made of the finest materials, with stainless steel used internally, this microwave is easily cleaned and maintained. Because microwave oven units are usually fitted to supplement the built-in oven, it is especially important that they match in design and colour. ILVE appliances are renowned for forming a perfectly integrated family of built-in appliances.



| | |
|-----------------|--|
| SIZE mm | 560W x 344H x 435D |
| FINISH | stainless steel interior and exterior |
| CAPACITY | 34 litres |
| FEATURES | <ul style="list-style-type: none"> • 99-minute digital timer • 10 power levels • 6 x one-touch cook programs • 3 x auto defrost programs • auto defrost (time and weight) • clock and timer • heat-resistant glass turntable • child safety lock |
| TRIMKIT | IVTK34 |
| POWER | 10 amp GPO, standard 3-pin plug and cord power consumption: 1500W output power: 1000W |



EAN x

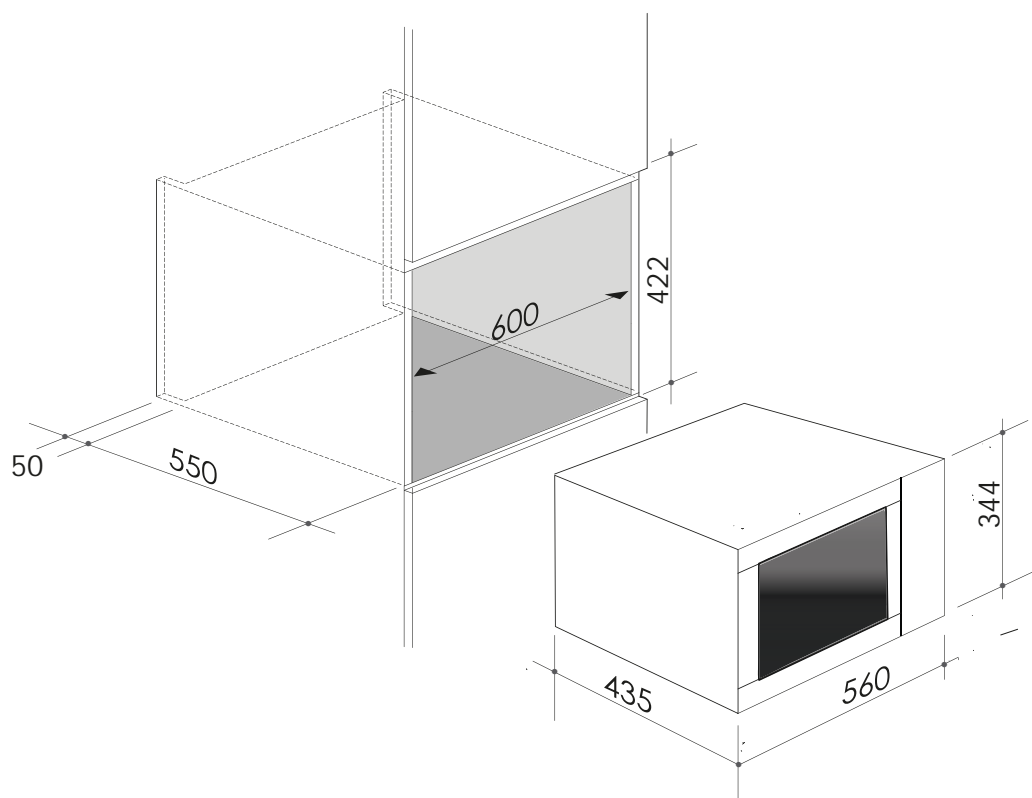
DISCLAIMER

Eurolinx Pty Ltd, trading as ILVE Appliances, is continually seeking ways to improve the design specifications, aesthetics and production techniques of its products. As a result alterations to our products and designs take place continually. Whilst every effort is made to produce information and literature that is up to date, this brochure should not be regarded as an infallible guide to the current specifications, nor does it constitute an offer for the sale of any particular product. Product dimensions indicated in our literature is indicative only. Actual product only should be used to define dimension cutouts. Distributors, and retailers are not agents of ILVE Appliances and are not authorized to bind ILVE Appliances by any express or implied undertaking or representation.

COMMERCIAL PRODUCT

IVFSM634X

built-in or freestanding microwave oven



NB: drawings are not to scale — they are to be used as a guide only.
For full operating and installation instructions, please see user manual.

You can find us on:

 facebook.com/ILVEappliances

 twitter.com/ILVE_appliances

 youtube.com/ILVEappliances

 livelwithilve.com

Australia National Telephone Number 1300 MYILVE (694 583) New Zealand Telephone Number 0508 458 369

ILVE showrooms are open daily from 9am-5pm and Saturdays 10am-4pm (WA by appointment only on Saturdays)

ilve.com.au

**NSW & ACT
(head office)**

48 Moore Street
Leichhardt
02 8569 4699

VIC | SA

1211 Toorak Road
CAMBERWELL
03 9809 2155

TASMANIA

3 Pear Avenue
DERWENT PARK 7009
03 6272 7386

QLD

1/42 Cavendish Road
COORPAROO
07 3397 0850

WA | NT

10/55 Howe Street
OSBORNE PARK
08 9201 9188

New Zealand

PO Box 11.160
Sockburn Christchurch
03 344 5906