

## COMMERCIAL PRODUCT

# IVDSIP5

# semi-integrated dishwasher

**SIZE mm** 598W x 570D x 815H  
**FINISH** stainless steel interior and control panel

**CAPACITY** 15 place settings

**FEATURES**

- electronic control with direct controls to settings: On/Off, Strong wash, Extra drying, Alternative wash, Programs, Delay, Child lock, Start/Pause
- noise level: 47dBA
- child lock
- LED screen & Interior light
- 8 programs — Intensive, Heavy, ECO, 90 minute wash, Glass, Rapid, Pre-wash, Auto drying function & natural drying system
- delay start: 1 - 24 hours
- flowmeter water sensor
- anti-flood device
- third layer cutlery basket/tray
- height adjustable upper basket 'lift up' with handles
- basket colour: grey
- VDE hose

**POWER** 10 amp, 3-pin plug



Shown with kickplate and door panel (not included)



Program	Cycle Selection	Cycle Description	Detergent pre/main	Running time (min)	Energy (kWh)	Water (litres)	Rinse Aid
auto	auto sensing wash, lightly or heavily-soiled crockery, with or without dried-on food	pre-wash 45°C autowash 45-55°C rinse 65°C   drying	5/28.75g (1 piece)	150	0.9-1.3	11-15	★
intensive	for heaviest soiled dishes and crockery, or that have been sitting with dried food	pre-wash 50°C wash 60°C rinse   rinse 70°C drying	5/28.75g (1 piece)	175	1.5	19	★
heavy	for heavily soiled loads such as pots, plates & glasses and lightly soiled pans	prewash 45°C wash 55°C rinse   rinse 65°C	5/28.75g (1 piece)	185	1.1	15	★
ECO	for heavily soiled loads such as pots, plates & glasses and lightly soiled pans; standard daily cycle	prewash   wash 45°C rinse 45°C drying	5/28.75g (1 piece)	195	0.64	11.8	★
glass	for lightly soiled crockery and glass	pre-wash   wash 40°C rinse   rinse 60°C drying	5/28.75g (1 piece)	130	0.75	15	★
90 min	for lightly soiled plates and pans that need a quick wash	wash 65°C rinse   rinse 65°C drying	33.75g (1 piece)	90	1.15	13	★
rapid	a shorter wash for lightly soiled loads that do not need drying	wash 45°C rinse 55°C rinse 55°C	20g	30	0.7	12.5	
soak	to rinse dishes that will be washed later that day	prewash		15	0.02	4.5	

\* AS/NZS 2007.1: Test cycle program

EAN 9341584036063

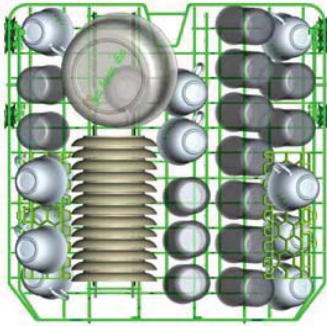
**DISCLAIMER**

Eurolinx Pty Ltd, trading as ILVE Appliances, is continually seeking ways to improve the design specifications, aesthetics and production techniques of its products. As a result alterations to our products and designs take place continually. Whilst every effort is made to produce information and literature that is up to date, this brochure should not be regarded as an infallible guide to the current specifications, nor does it constitute an offer for the sale of any particular product. Product dimensions indicated in our literature is indicative only. Actual product only should be used to define dimension cutouts. Distributors, and retailers are not agents of ILVE Appliances and are not authorized to bind ILVE Appliances by any express or implied undertaking or representation.

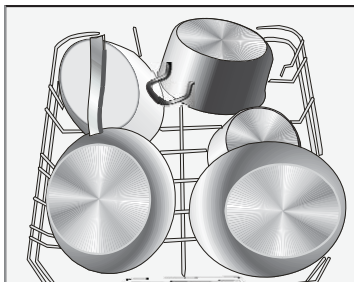
COMMERCIAL PRODUCT

IVDSIP5

semi-integrated dishwasher

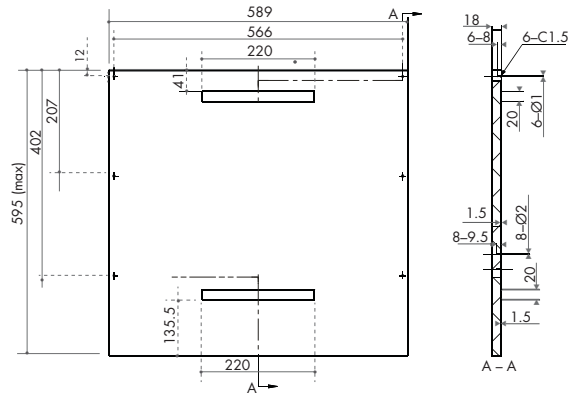
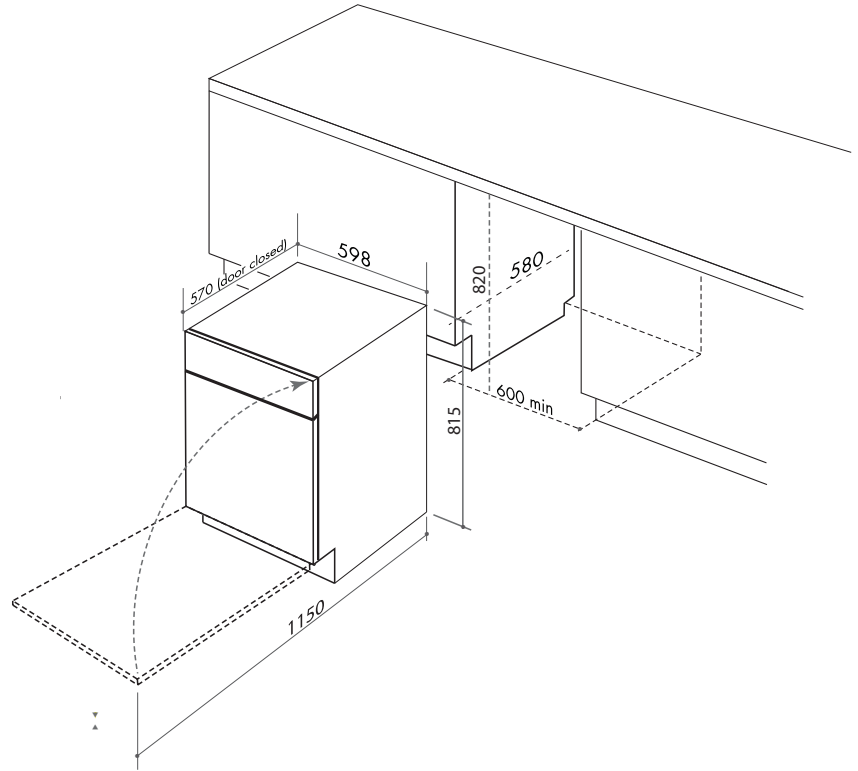


The upper basket is designed to hold more delicate and lighter dishware such as glasses, coffee and tea cups and saucers, as well as small plates and bowls and shallow pans (provided they are not too soiled).



It is suggested that large items, and items that are most difficult to clean, are placed in the lower basket — eg pots, pans, lids, serving dishes etc. It is preferable to place serving dishes and lids on the side of the racks to avoid blocking rotation of the top spray arm.

NB: drawings are not to scale — they are to be used as a guide only. For detailed installation instructions, please refer to user guide.



You can find us on:



Australia National Telephone Number 1300 MYILVE (694 583) New Zealand Telephone Number 0508 458 369

ILVE showrooms are open Tuesday to Friday from 9am-5pm and Saturdays 10am-4pm (WA by appointment only on Saturdays)

ilve.com.au

**NSW & ACT**  
(head office)

48 Moore Street  
Leichhardt  
02 8569 4699

**VIC | SA**

1211 Toorak Road  
CAMBERWELL  
03 9809 2155

**TASMANIA**

3 Pear Avenue  
DERWENT PARK 7009  
03 6272 7386

**QLD**

1/42 Cavendish Road  
COORPAROO  
07 3397 0850

**WA | NT**

10/55 Howe Street  
OSBORNE PARK  
08 9201 9188

**New Zealand**

PO Box 11.160  
Sockburn Christchurch  
03 344 5906