

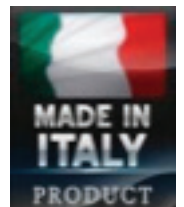
CEILING RANGEHOOD

CH900X



Pictured: CH900X Ceiling Hood

Simple lines, enhanced by a discreet but effective lighting originated from six LED spotlights, LINE UP is a hood that blends with the surrounding environment maintaining its main functionality. The motor of this ceiling can be easily installed far-off. The hood is powered by a stylish remote control



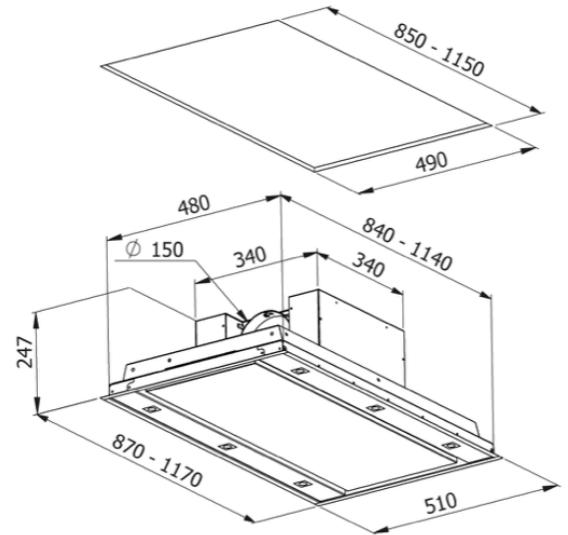
CEILING RANGEHOOD

CH900X



Model CH900X Ceiling Hood

- Reduced overall dimensions of the motor box to allows installation in small spaces
- Light indicator for grease filter maintenance
- Adjustable and delayed self-switching off
- Perimeter extraction
- Washable anti grease aluminium filter
- Possibility to install the motor in remote position
- Charcoal filters available
- Finishing: Inox AISI 430 SB
- Commands: Radio remote control 3S + B
- Lighting: LED 6 x 1,2W
- Air flow (m³/h): 258 - 553 (886)
- Motor consumption: 350W
- Noise (dB): 46 - 63 (72)
- Outlet: 150 mm, 360° direction
- Version: Duct out
- European Energy Class: A
- Size: 90cm (120cm available upon request)
- Colour: Stainless Steel



Model: CH900 Ceiling Hood
Size: 90cm
Power standard: 10 Amp plug
Ducting size: 150mm

Australia National Telephone Number 1300 MYILVE (694 583) New Zealand Telephone Number 0508 458 369
ILVE showrooms are open daily from 9am-5pm and Saturdays 10am-4pm

ilve.com.au

NSW & ACT (Head Office)

48-50 Moore Street
Leichhardt
F 02 8569 4699

VIC & SA

1211 Toorak Road
Camberwell
F 03 9809 2155

QLD

1/42 Cavendish Road
Coorparoo
F 07 3397 0850

WA & NT

Unit 10/55 Howe Street
Osborne Park
F 08 9201 9188

TAS (Crisp Ikin)

3 Pear Avenue
Derwent Park, 7009
P 03 6272 7386

New Zealand

PO Box 11.160
Sockburn Christchurch
F 03 344 5906

DISCLAIMER

Eurolinx PTY LTD, trading as ILVE Appliances, is continually seeking ways to improve the design specifications, aesthetics and production techniques of its products. As a result alterations to our products and designs take place continually. Whilst every effort is made to produce information and literature that is up to date, this brochure should not be regarded as an infallible guide to the current specifications, nor does it constitute an offer for the sale of any particular product. Product dimensions indicated in our literature is indicative only. Actual product only should be used to define dimension cutouts. Distributors, and retailers are not agents of ILVE Appliances and are not authorized to bind ILVE Appliances by any express or implied undertaking or representation.