

COMMERCIAL PRODUCT

FR90-2

90cm slideout rangehood



SIZE mm

898Wx280D (+20mm fascia)
x163.5H | slideout: 0-160mm

FINISH

stainless steel

CAPACITY

275m³/hr airflow

FEATURES

- fitted with 80mm high rail — 42mm high rail included for optional fitting
- 2 x speeds
- 2 x aluminium mesh filters, with integral carbon filter
- 2 x LED lights
- 38-52 dBA
- installation kit provided
- 40W motor
- 125mm ducting



POWER

10 amps, 3-pin plug and cord



EAN 9341584034045

DISCLAIMER

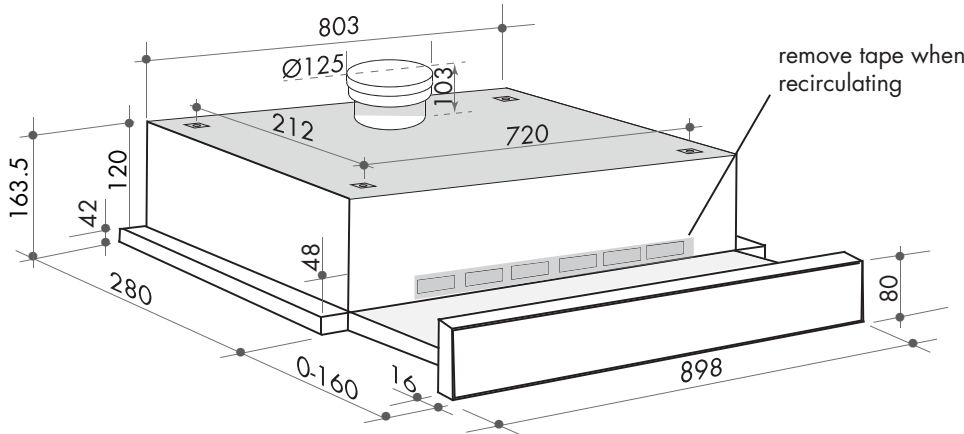
Eurolinx Pty Ltd, trading as ILVE Appliances, is continually seeking ways to improve the design specifications, aesthetics and production techniques of its products. As a result alterations to our products and designs take place continually. Whilst every effort is made to produce information and literature that is up to date, this brochure should not be regarded as an infallible guide to the current specifications, nor does it constitute an offer for the sale of any particular product. Product dimensions indicated in our literature is indicative only. Actual product only should be used to define dimension cutouts. Distributors, and retailers are not agents of ILVE Appliances and are not authorized to bind ILVE Appliances by any express or implied undertaking or representation.

COMMERCIAL PRODUCT

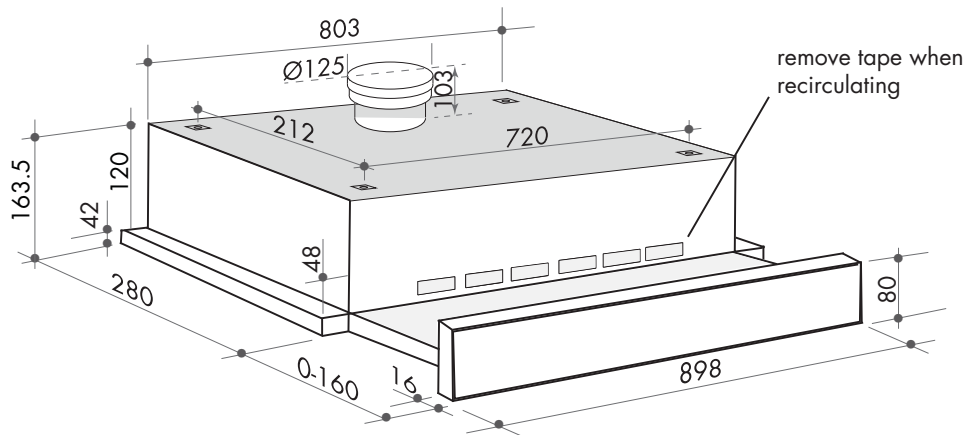
FR90-2

90cm slideout rangehood

DUCTED INSTALLATION ONLY



RECIRCULATING INSTALLATION ONLY



NB: drawings are not to scale — they are to be used as a guide only.
For full installation instructions, please refer to user manual.

You can find us on:



Australia National Telephone Number 1300 MYILVE (694 583) New Zealand Telephone Number 0508 458 369
ILVE showrooms are open daily from 9am-5pm and Saturdays 10am-4pm (WA by appointment only on Saturdays)

ilve.com.au

NSW & ACT
(head office)

48 Moore Street
Leichhardt
02 8569 4699

VIC | SA

1211 Toorak Road
CAMBERWELL
03 9809 2155

TASMANIA

3 Pear Avenue
DERWENT PARK 7009
03 6272 7386

QLD

1/42 Cavendish Road
COORPAROO
07 3397 0850

WA | NT

10/55 Howe Street
OSBORNE PARK
08 9201 9188

New Zealand

PO Box 11.160
Sockburn Christchurch
03 344 5913