

## COMMERCIAL PRODUCT

**ILIH900X**

**90cm island rangehood**



LOW  
NOISE



LED  
LIGHT



24 MONTH  
WARRANTY

<b>SIZE mm</b>	900mmW x 500mmD
<b>FINISH</b>	AS430 stainless steel
<b>CAPACITY</b>	850m <sup>3</sup> /hr
<b>FEATURES</b>	<ul style="list-style-type: none"><li>• &lt;67 dBA</li><li>• 3 speeds</li><li>• electronic control with blue indicator light</li><li>• push-button controls</li><li>• double-sided control panels</li><li>• 4 x 1.5W LED lights</li><li>• 3 x 5-layer aluminium filters</li><li>• 2 x 600mm wide chimney flues</li></ul>
<b>POWER</b>	supplied with 150m power cord 10 amps
<b>ACCESSORIES</b>	charcoal filter: HXT600B flue: EFILIH900X



**EAN 9341584036360**

### DISCLAIMER

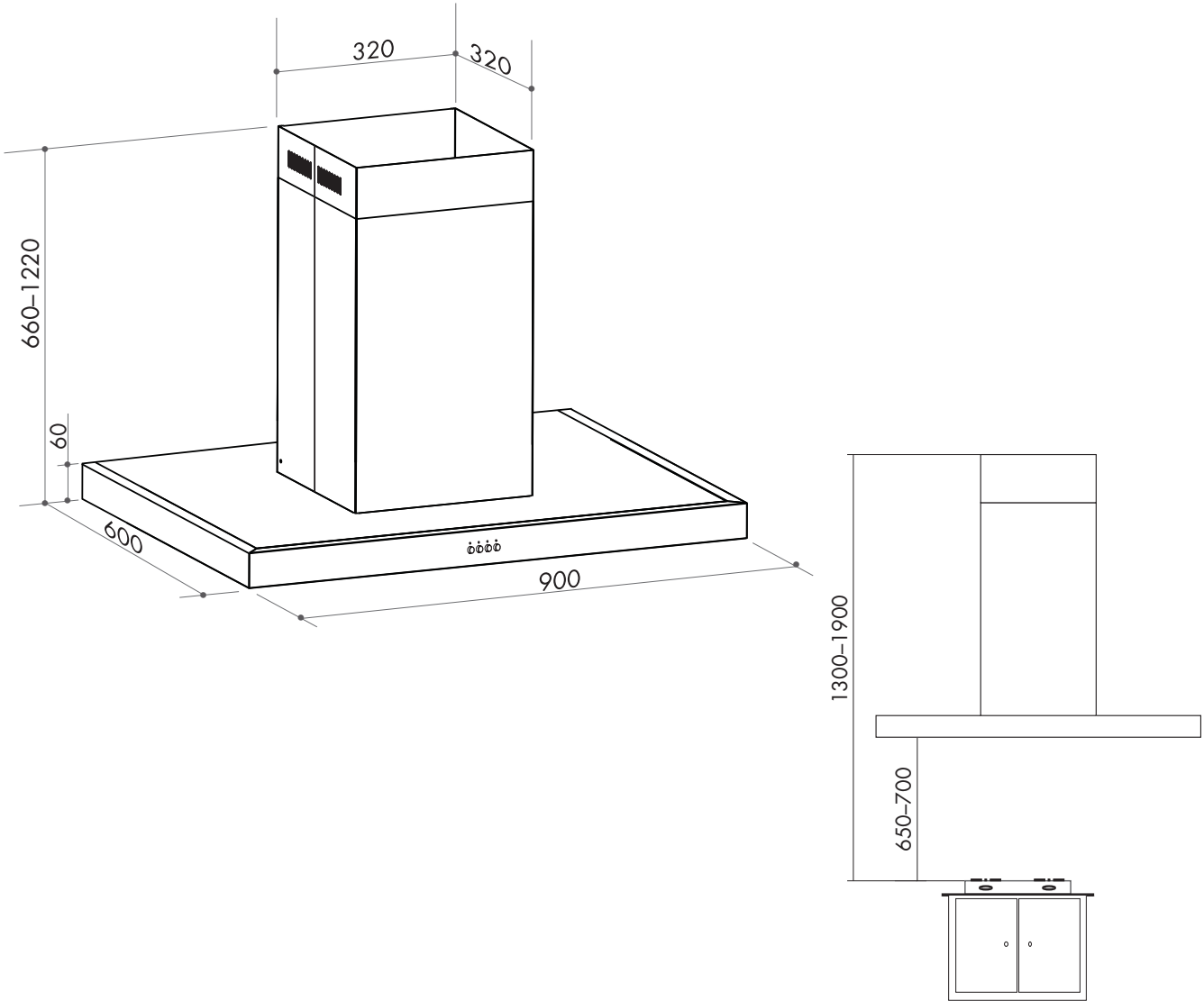
Eurolinx Pty Ltd, trading as ILVE Appliances, is continually seeking ways to improve the design specifications, aesthetics and production techniques of its products. As a result alterations to our products and designs take place continually. Whilst every effort is made to produce information and literature that is up to date, this brochure should not be regarded as an infallible guide to the current specifications, nor does it constitute an offer for the sale of any particular product. Product dimensions indicated in our literature is indicative only. Actual product only should be used to define dimension cutouts. Distributors, and retailers are not agents of ILVE Appliances and are not authorized to bind ILVE Appliances by any express or implied undertaking or representation.

IL230118

COMMERCIAL PRODUCT

ILIH900X

90cm island rangehood



NB: drawings are not to scale — they are to be used as a guide only.  
For detailed installation instructions, please refer to user guide.

You can find us on:

 [facebook.com/ILVEappliances](https://facebook.com/ILVEappliances)

 [twitter.com/ILVE\\_appliances](https://twitter.com/ILVE_appliances)

 [youtube.com/ILVEappliances](https://youtube.com/ILVEappliances)

 [liveswithilve.com](https://liveswithilve.com)

Australia National Telephone Number 1300 MYILVE (694 583) New Zealand Telephone Number 0508 458 369

ILVE showrooms are open Tuesday to Friday from 9am-5pm and Saturdays 10am-4pm (WA by appointment only on Saturdays)

[ilve.com.au](https://ilve.com.au)

**NSW & ACT**  
(head office)

48 Moore Street  
Leichhardt  
02 8569 4699

**VIC | SA**

1211 Toorak Road  
CAMBERWELL  
03 9809 2155

**TASMANIA**

3 Pear Avenue  
DERWENT PARK 7009  
03 6272 7386

**QLD**

1/42 Cavendish Road  
COORPAROO  
07 3397 0850

**WA | NT**

10/55 Howe Street  
OSBORNE PARK  
08 9201 9188

**New Zealand**

PO Box 11.160  
Sockburn Christchurch  
03 344 5906