

COMMERCIAL PRODUCT

IVFSD55

freestanding benchtop dishwasher

SIZE mm 550W x 500D x 438H

FINISH silver colour

CAPACITY 6 place settings

FEATURES

- MEPS Rating: 2.5 Star WELS Rating: 3.5 Star
- electronic soft touch control with direct controls to settings: On/Off, Programs, Delay & Start/Pause
- noise level: 49dBA
- spray arms: low spray
- indicators: end wash, Rinse Aid, Programs, DelayStart/Pause
- 6 programs
- Intensive / Strong, Heavy, ECO, 90 minute wash, Glass & Rapid
- natural drying system
- flowmeter water sensor
- antiflood device
- 2 / 4 / 8 hours delay option
- basket colour: grey
- VDE hose



POWER 10 amp, 3-pin plug

Program	Cycle Selection	Cycle Description	Detergent pre/main	Running Time (min)	Energy (kWh)	Water (litres)	Rinse Aid
intensive 	For heaviest soiled crockery, and normally soiled pots pans dishes etc with dried on soiling.	pre-wash 50°C wash 55°C rinse rinse rinse 70°C drying	5/17.5g (1or2 pieces)	140	0.85	9.7	✓
heavy 	For heavy soiled loads such as pots, plates, glasses and lightly soiled pans.	pre-wash wash 60°C rinse rinse 70°C drying	5/17.5g (1or2 pieces)	120	0.65	7.8	✓
ECO ECO	For normal soiled loads, such as plates, glasses and lightly soiled pans. Standard daily cycle.	pre-wash wash 47°C rinse rinse 50°C drying	5/17.5g (1or2 pieces)	135	0.45	7.4	✓
glass 	For lightly soiled loads, such as glasses, crystal and fine china.	wash 45°C rinse rinse 60°C drying	22.5g (1 piece)	70	0.45	6	✓
90 min 	For lightly soiled crockery and glass.	wash 65°C rinse 70°C drying	22.5g (1 piece)	90	0.65	7	✓
rapid 	A shorter wash for lightly soiled loads and quick wash	wash 40°C rinse rinse	15g	30	0.32	5.8	

* AS/NZS 2007.1: Test cycle program

EAN 9341584036100

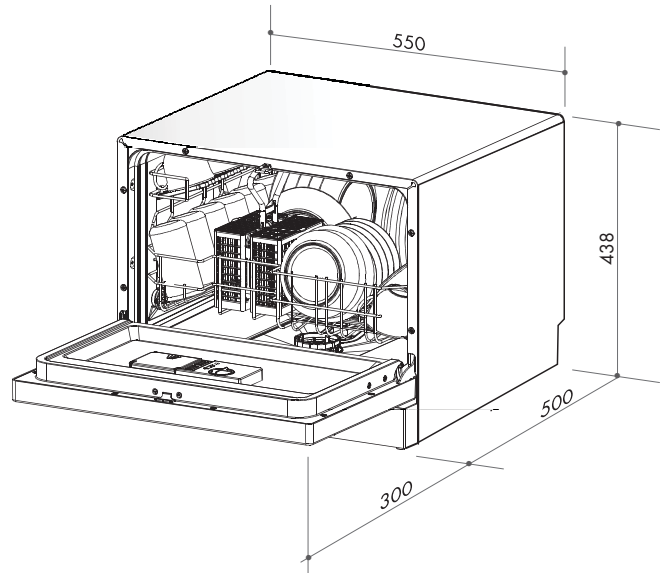
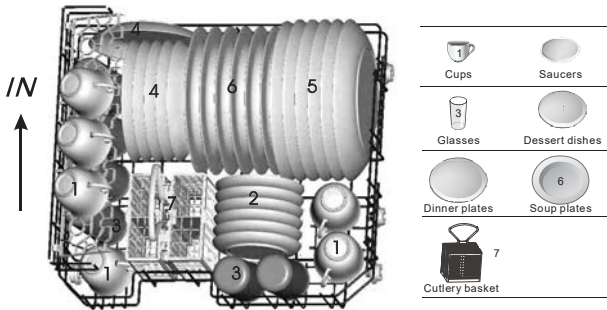
DISCLAIMER

EuroInx Pty Ltd, trading as ILVE Appliances, is continually seeking ways to improve the design specifications, aesthetics and production techniques of its products. As a result alterations to our products and designs take place continually. Whilst every effort is made to produce information and literature that is up to date, this brochure should not be regarded as an infallible guide to the current specifications, nor does it constitute an offer for the sale of any particular product. Product dimensions indicated in our literature is indicative only. Actual product only should be used to define dimension cutouts. Distributors, and retailers are not agents of ILVE Appliances and are not authorized to bind ILVE Appliances by any express or implied undertaking or representation.

COMMERCIAL PRODUCT

IVFSD55

freestanding benchtop dishwasher



NB: drawings are not to scale — they are to be used as a guide only. For detailed installation instructions, please refer to user guide.

You can find us on:

facebook.com/ILVEappliances

twitter.com/ILVE_appliances

youtube.com/ILVEappliances

BLOG livewithilve.com

Australia National Telephone Number 1300 MYILVE (694 583) New Zealand Telephone Number 0508 458 369
ILVE showrooms are open Tuesday to Friday from 9am-5pm and Saturdays 10am-4pm

ilve.com.au

NSW & ACT
(head office)

48 Moore Street
Leichhardt
02 8569 4699

VIC | SA

1211 Toorak Road
CAMBERWELL
03 9809 2155

TASMANIA

3 Pear Avenue
DERWENT PARK 7009
03 6272 7386

QLD

1/42 Cavendish Road
COORPAROO
07 3397 0850

WA | NT

10/55 Howe Street
OSBORNE PARK
08 9201 9188

New Zealand

PO Box 11.160
Sockburn Christchurch
03 344 5906