

**CAGH95X**

**90cm gas cooktop**

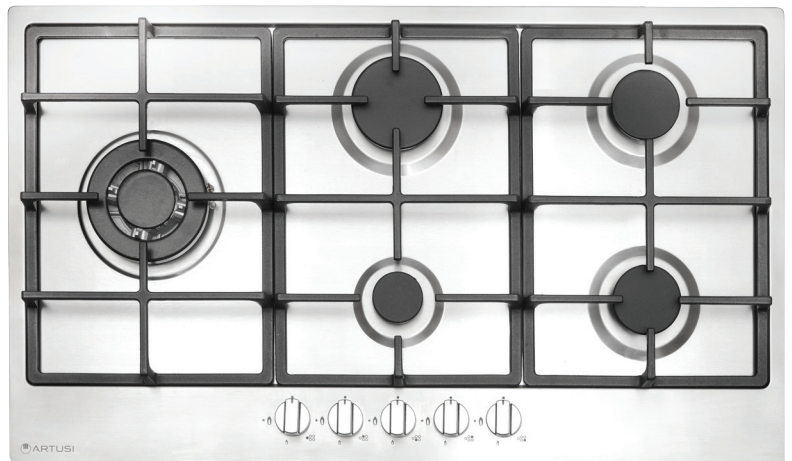


**CAGH95X**  
90cm gas cooktop with Flame Failure

860W x 510D x 90H  
CUTOUT: 840W x 480D

stainless steel

1x wok:	3.6 kW/hr
1x auxiliary:	1.0 kW/hr
2x semi-rapid:	1.75 kW/hr
rapid:	3.0 kW/hr
<b>TOTAL:</b>	<b>11.1 kW/hr</b>



- topmount
  - 5 gas burners, including wok
  - stainless steel
  - enamel trivets, wok cradle and burner caps
  - Italian Sabaf burners
  - automatic electronic ignition
- 3-pin plug and cord: 10 amp GPO required



**EAN 9347777001351**

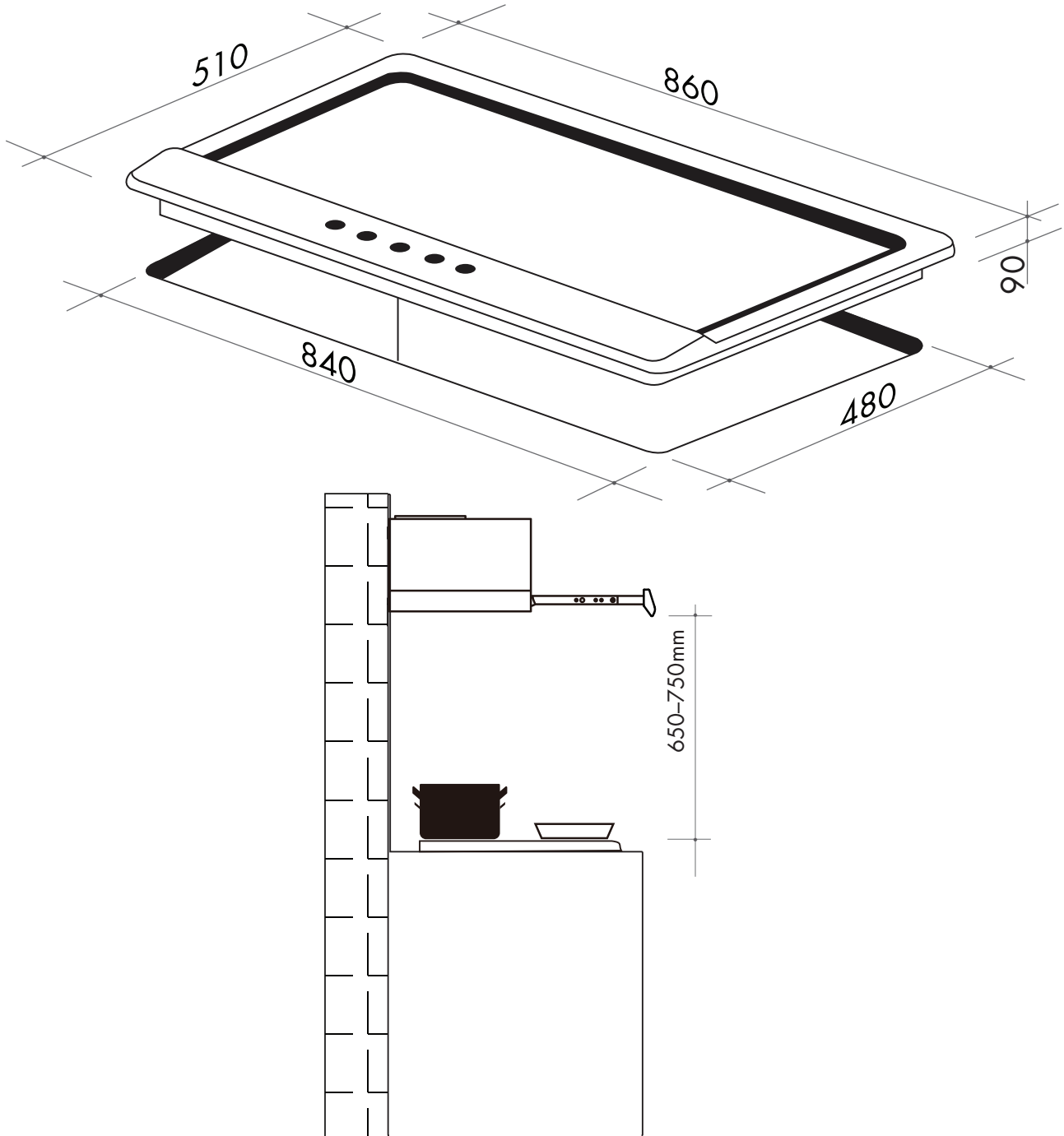
**DISCLAIMER**

Eurolinx PTY LTD is continually seeking ways to improve the design specifications, aesthetics and production techniques of its products. As a result alterations to our products and designs take place continually. Whilst every effort is made to produce information and literature that is up to date, this brochure should not be regarded as an infallible guide to the current specifications, nor does it constitute an offer for the sale of any particular product. Product dimensions indicated in our literature is indicative only. Actual product only should be used to define dimension cutouts. Distributors, and retailers are not agents of Eurolinx and are not authorized to bind Eurolinx by any express or implied undertaking or representation.

AR050617

**CAGH95X**

**90cm gas cooktop**



NB: drawings are not to scale — they are to be used . For detailed installation instructions, please refer to user guide.

Australia National Telephone Number 1300 694 583 New Zealand Telephone Number 0508 458 369  
ARTUSI showrooms are open Tuesday to Friday from 9am-5pm and Saturdays 10am-4pm

[artusi.com.au](http://artusi.com.au)

**NSW & ACT**  
(head office)

48 Moore Street  
Leichhardt  
02 8569 4699

**VIC | SA**

1211 Toorak Road  
CAMBERWELL  
03 9809 2155

**TASMANIA**

3 Pear Avenue  
DERWENT PARK 7009  
03 6272 7386

**QLD**

1/42 Cavendish Road  
COORPAROO  
07 3397 0850

**WA | NT**

10/55 Howe Street  
OSBORNE PARK  
08 9201 9188

**New Zealand**

PO Box 11.160  
Sockburn Christchurch  
03 344 5913