

ASO901RX

90cm slideout rangehood



### ASO901RX 90cm slideout rangehood (recirculated)

- stainless steel, white body
- aluminium mesh filter, dishwasher safe
- carbon filter included
- 3 speeds, slide control
- 350m<sup>3</sup>/hr airflow
- 2 x incandescent lightglobes
- 1 x front rail included
- Ø120mm ducting | recirculation kit available

10 AMP electrical connection, 3-pin plug and cord  
input power: 120W



*Optional 90cm front rail — supplied in box*

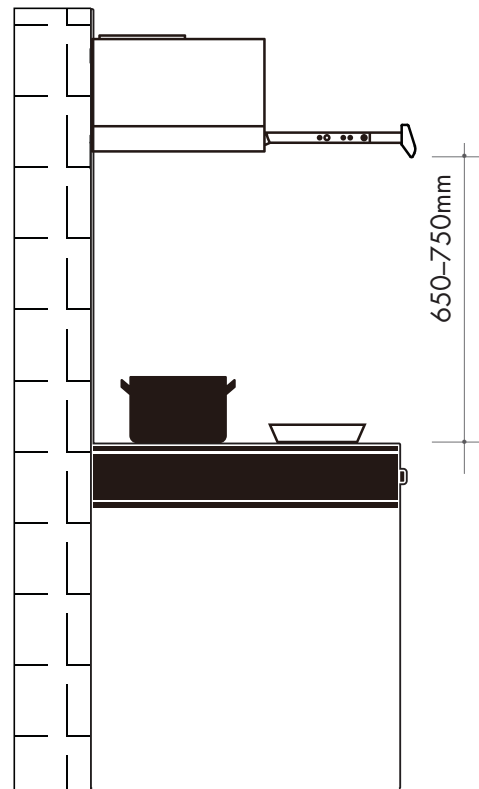
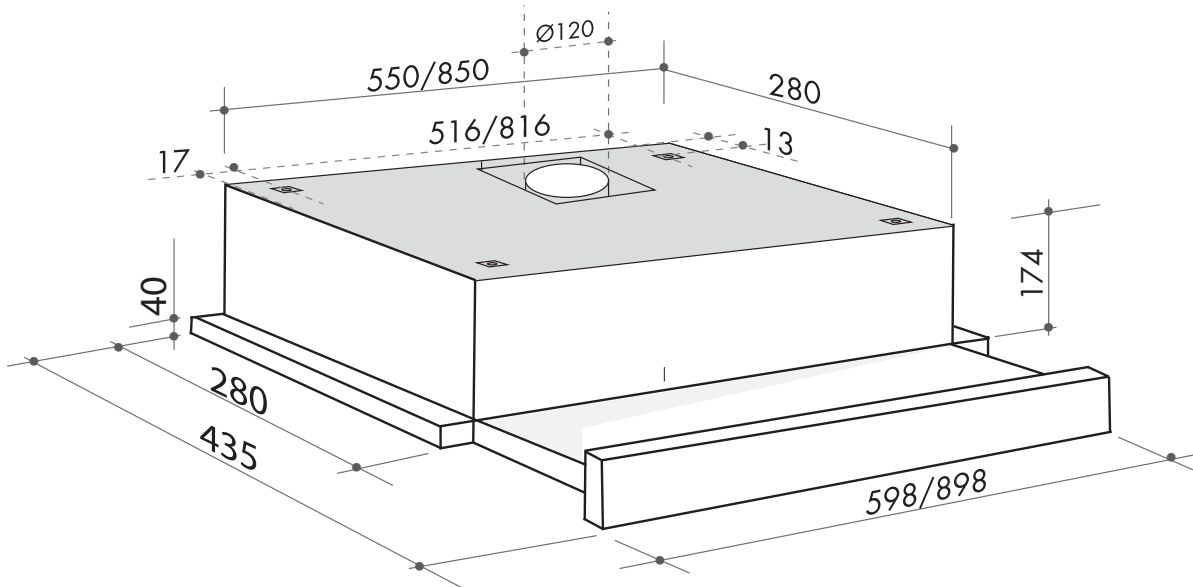


EAN 9347777001191

#### DISCLAIMER

Eurolinx PTY LTD is continually seeking ways to improve the design specifications, aesthetics and production techniques of its products. As a result alterations to our products and designs take place continually. Whilst every effort is made to produce information and literature that is up to date, this brochure should not be regarded as an infallible guide to the current specifications, nor does it constitute an offer for the sale of any particular product. Product dimensions indicated in our literature is indicative only. Actual product only should be used to define dimension cutouts. Distributors, and retailers are not agents of Eurolinx and are not authorized to bind Eurolinx by any express or implied undertaking or representation.

AR270516



NB: drawings are not to scale — they are to be used as a guide only. For detailed installation instructions, please refer to user guide.

Australia National Telephone Number 1300 694 583 New Zealand Telephone Number 0508 458 369  
 ARTUSI showrooms are open Tuesday to Friday from 9am-5pm and Saturdays 10am-4pm

artusi.com.au

**NSW & ACT**  
(head office)

48 Moore Street  
 Leichhardt  
 02 8569 4699

**VIC | SA**

1211 Toorak Road  
 CAMBERWELL  
 03 9809 2155

**TASMANIA**

Crisp Ikin  
 3 Pear Avenue  
 DERWENT PARK 7009  
 03 6272 7386

**QLD**

1/42 Cavendish Road  
 COORPAROO  
 07 3397 0850

**WA | NT**

10/55 Howe Street  
 OSBORNE PARK  
 08 9201 9188

**New Zealand**

PO Box 11.160  
 Sockburn Christchurch  
 03 344 5913