

ADW5001X

freestanding dishwasher

SIZE mm 598Wx600Dx845H






FINISH stainless steel colour

CAPACITY 12 place settings

- FEATURES**
- delay start option | 3-6-9-12 hours
 - 49 dBA
 - electronic control panel
 - push-button functions: power, programs, delay function, child lock, start/pause
 - 6 programs: intensive, heavy, ECO, 90-min, glass, rapid
 - height-adjustable top basket
 - flowmeter water sensor
 - extra drying
 - strong wash
 - grey basket
 - VDE hose

POWER 10 AMP GPO; standard 3-pin plug and cord 240V



PROGRAM	TYPE	CYCLE	DETERGENT pre/main gr	DURATION minutes	ENERGY kW/hr	WATER litres	RINSE AID
intensive 	for heaviest soiled loads, eg pots, pans, casserole dishes, and dried-on food	prewash 50°C prewash wash 65°C rinse/rinse/rinse 65°C drying	5/25	140	1.7	23	★
heavy 	for heavily soiled loads, eg pots, plates, glasses and lightly soiled pans – standard daily cycle	prewash 50°C wash 50°C rinse/rinse 70°C drying	5/25	160	1.3	15	★
ECO	for heavily soiled loads such as pots, plates & glasses and lightly soiled pans; standard daily cycle	prewash wash 45°C rinse 45°C drying	5/28.75g (1 piece)	195	0.64	11.8	★
90-minute 	for lightly soiled plates and pans that need a quick wash	wash 65°C rinse rinse 65°C drying	33.75g (1 piece)	90	1.15	13	★
glass 	for lightly soiled crockery and glass	pre-wash wash 40°C rinse rinse 60°C drying	5/28.75g (1 piece)	130	0.75	15	★
rapid 	a shorter wash for lightly soiled loads that do not need drying	wash 40°C rinse/rinse 45°C	20	30	0.5	12	

* AS/NZS 2007.1: Test cycle program

√ Rinse Aid required

NB: We recommend opening door 50mm at end of wash to assist drying

EAN 9347777001412

DISCLAIMER

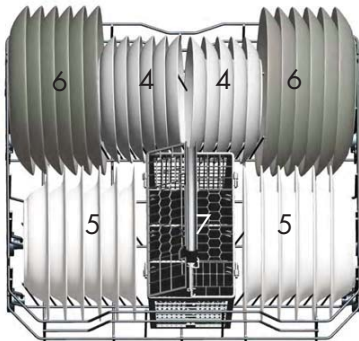
Eurolinx PTY LTD is continually seeking ways to improve the design specifications, aesthetics and production techniques of its products. As a result alterations to our products and designs take place continually. Whilst every effort is made to produce information and literature that is up to date, this brochure should not be regarded as an infallible guide to the current specifications, nor does it constitute an offer for the sale of any particular product. Product dimensions indicated in our literature is indicative only. Actual product only should be used to define dimension cutouts. Distributors, and retailers are not agents of Eurolinx and are not authorized to bind Eurolinx by any express or implied undertaking or representation.

AR230517



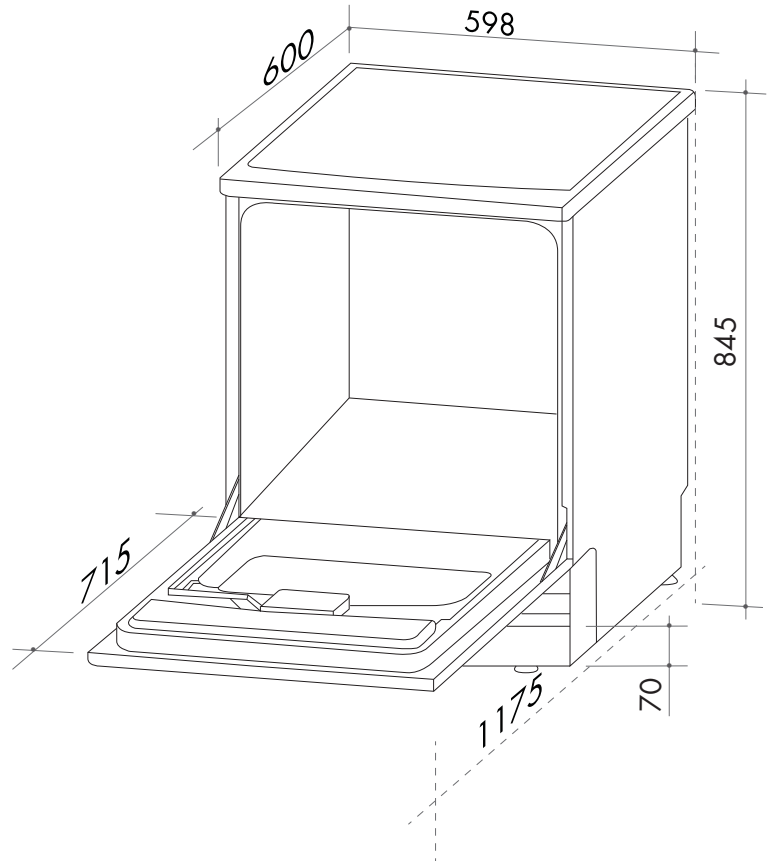
- | | | | |
|---|---------|---|----------------|
| 1 | cups | 2 | saucers |
| 3 | glasses | 4 | dessert plates |

The upper basket is designed to hold more delicate and lighter dishware such as glasses, coffee and tea cups and saucers, as well as small plates and bowls and shallow pans (provided they are not too soiled).



- | | | | |
|---|----------------|---|-------------|
| 4 | dessert dishes | 5 | soup plates |
| 6 | dinner plates | 7 | cutlery |

It is suggested that large items, and items that are most difficult to clean, are placed in the lower basket — eg pots, pans, lids, serving dishes etc. It is preferable to place serving dishes and lids on the side of the racks to avoid blocking rotation of the top spray arm.



NB: drawings are not to scale — they are to be used . For detailed installation instructions, please refer to user guide.