

COMMERCIAL PRODUCT

CS Series

60cm | 90cm slideout rangehood



**SIZE mm**

600/900W  
280D + slideout: 0–160mm  
140+40H

**CAPACITY  
FEATURES**

340m<sup>3</sup>/hr maximum airflow (net)\*

- slideout rangehood
- filters: aluminium
- control: switch button
- fingerprint-proof fascia
- lighting: ECO LED
- speed levels: 2
- motor consumption: 100W
- noise (dBA): 45.5 low – 57 high
- outlet: 120mm with 125mm conversion
- size: 60cm & 90cm
- available colour: brushed painted stainless steel
- easy installation kit provided
- suitable for ducting or recirculating\*\*



**POWER**

10 amp plug  
energy consumption/year: 43.7 kWh

\* Rangehood extraction rate m<sup>3</sup>/hr reading is measured at: 1m duct up, 1 x 90°C bend & 1m vertical duct

\*\* Optional recirculating kit and accessories are available (consult with ILVE)



CS60: EAN 9341584035196

CS90: EAN 9341584035219

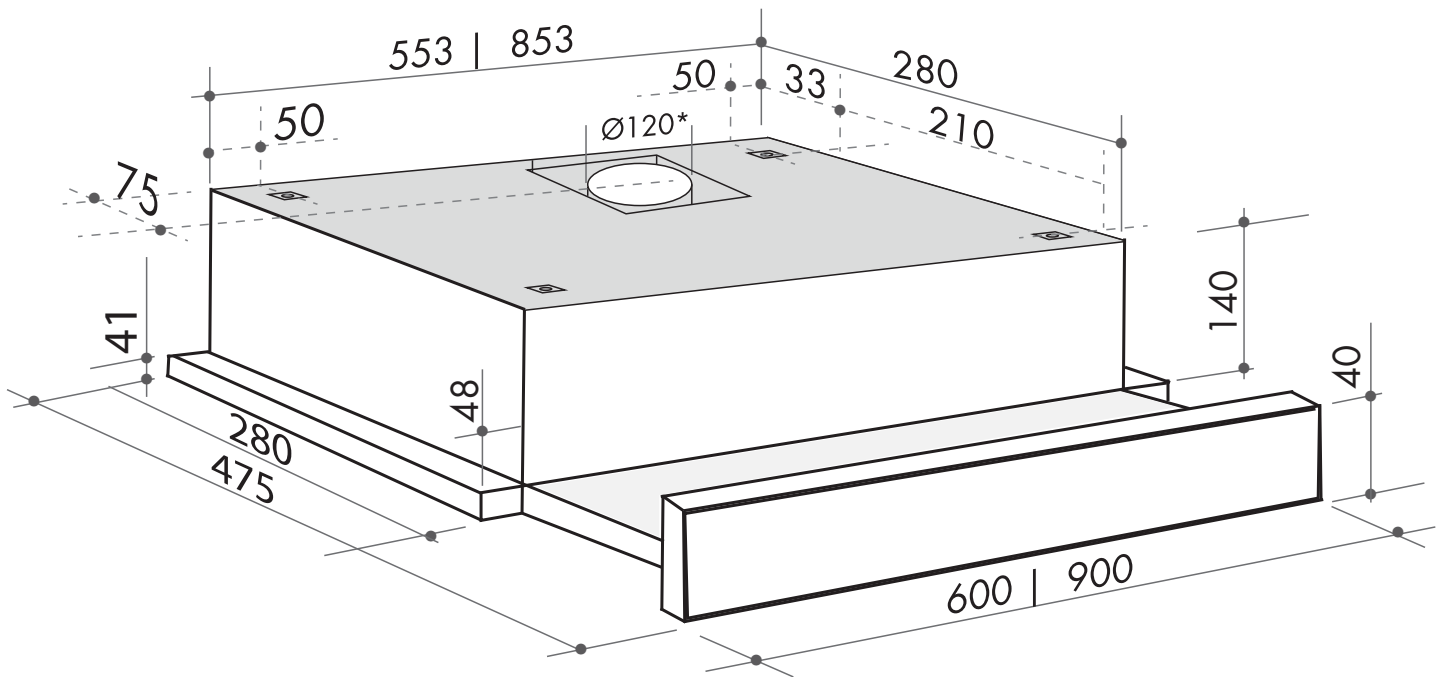
DISCLAIMER

Eurolinx Pty Ltd, trading as ILVE Appliances, is continually seeking ways to improve the design specifications, aesthetics and production techniques of its products. As a result alterations to our products and designs take place continually. Whilst every effort is made to produce information and literature that is up to date, this brochure should not be regarded as an infallible guide to the current specifications, nor does it constitute an offer for the sale of any particular product. Product dimensions indicated in our literature is indicative only. Actual product only should be used to define dimension cutouts. Distributors, and retailers are not agents of ILVE Appliances and are not authorized to bind ILVE Appliances by any express or implied undertaking or representation.

COMMERCIAL PRODUCT

CS Series

60cm | 90cm slideout rangehood



NB: drawings are not to scale — they are to be used as a guide only.  
For full installation instructions, please refer to user manual.

You can find us on:

 [facebook.com/ILVEappliances](https://facebook.com/ILVEappliances)

 [twitter.com/ILVE\\_appliances](https://twitter.com/ILVE_appliances)

 [youtube.com/ILVEappliances](https://youtube.com/ILVEappliances)

 [BLOG livewithilve.com](https://livelwithilve.com)

Australia National Telephone Number 1300 MYILVE (694 583) New Zealand Telephone Number 0508 458 369

ILVE showrooms are open Tuesday to Friday from 9am-5pm and Saturdays 10am-4pm (WA by appointment only on Saturdays)

[ilve.com.au](https://ilve.com.au)

**NSW & ACT**  
(head office)

48 Moore Street  
Leichhardt  
02 8569 4699

**VIC | SA**

1211 Toorak Road  
CAMBERWELL  
03 9809 2155

**TASMANIA**

3 Pear Avenue  
DERWENT PARK 7009  
03 6272 7386

**QLD**

1/42 Cavendish Road  
COORPAROO  
07 3397 0850

**WA | NT**

10/55 Howe Street  
OSBORNE PARK  
08 9201 9188

**New Zealand**

PO Box 11.160  
Sockburn Christchurch  
03 344 5913