

COMMERCIAL PRODUCT

**IVFSM34X**

built-in or freestanding microwave oven



Our stainless steel microwave ovens are designed to complement your choice of ILVE oven. Simple to use and made of the finest materials, with stainless steel used internally, this microwave is easily cleaned and maintained. Because microwave oven units are usually fitted to supplement the built-in oven, it is especially important that they match in design and colour. ILVE appliances are renowned for forming a perfectly integrated family of built-in appliances. That's why this microwave comes with an integrated trimkit to build in with your choice of ILVE oven.

<b>SIZE mm</b>	520W x 300H x 430D trimkit: 598W x 378H x 20D
<b>FINISH</b>	AS304 stainless steel
<b>CAPACITY</b>	31 litres
<b>FEATURES</b>	<ul style="list-style-type: none"> <li>• 90-minute digital timer</li> <li>• defrost setting</li> <li>• 900W power output</li> <li>• 1200W grill</li> <li>• auto menu with auto defrost</li> <li>• combination cooking</li> <li>• clock and timer</li> <li>• child safety lock</li> <li>• 5 temperature settings: 160–230°C</li> </ul>
<b>TRIMKIT</b>	IVTK60
<b>POWER</b>	10 amp GPO, standard 3-pin plug and cord



EAN 9341584030771

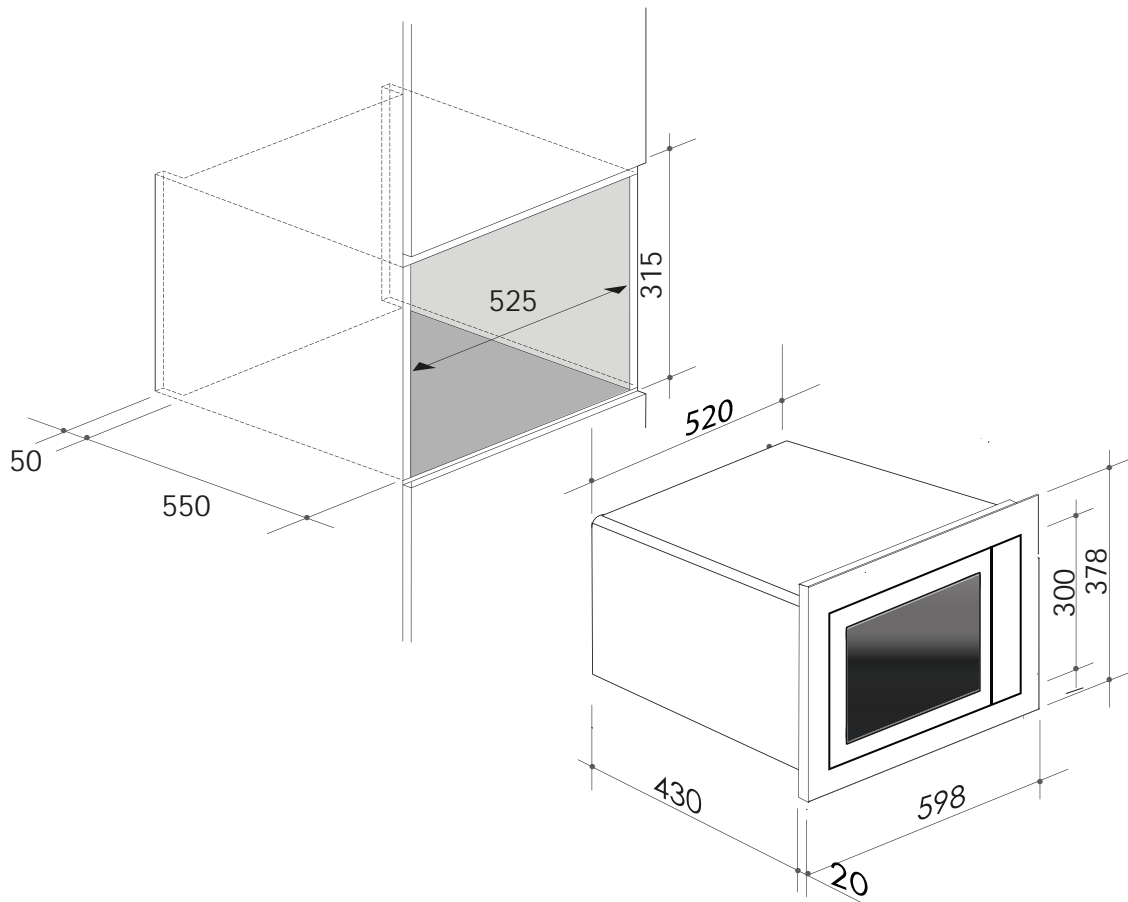
DISCLAIMER

Eurolinx Pty Ltd, trading as ILVE Appliances, is continually seeking ways to improve the design specifications, aesthetics and production techniques of its products. As a result alterations to our products and designs take place continually. Whilst every effort is made to produce information and literature that is up to date, this brochure should not be regarded as an infallible guide to the current specifications, nor does it constitute an offer for the sale of any particular product. Product dimensions indicated in our literature is indicative only. Actual product only should be used to define dimension cutouts. Distributors, and retailers are not agents of ILVE Appliances and are not authorized to bind ILVE Appliances by any express or implied undertaking or representation.

COMMERCIAL PRODUCT

IVFSM34X

built-in or freestanding microwave oven



NB: drawings are not to scale — they are to be used as a guide only

You can find us on:

 [facebook.com/ILVEappliances](https://facebook.com/ILVEappliances)

 [twitter.com/ILVE\\_appliances](https://twitter.com/ILVE_appliances)

 [youtube.com/ILVEappliances](https://youtube.com/ILVEappliances)

 [livelwithilve.com](https://livelwithilve.com)

Australia National Telephone Number 1300 MYILVE (694 583) New Zealand Telephone Number 0508 458 369  
ILVE showrooms are open daily from 9am-5pm and Saturdays 10am-4pm (WA by appointment only on Saturdays)

[ilve.com.au](https://ilve.com.au)

**NSW & ACT**  
(head office)

48 Moore Street  
Leichhardt  
02 8569 4699

**VIC | SA**

1211 Toorak Road  
CAMBERWELL  
03 9809 2155

**TASMANIA**

3 Pear Avenue  
DERWENT PARK 7009  
03 6272 7386

**QLD**

1/42 Cavendish Road  
COORPAROO  
07 3397 0850

**WA | NT**

10/55 Howe Street  
OSBORNE PARK  
08 9201 9188

**New Zealand**

PO Box 11.160  
Sockburn Christchurch  
03 344 5906