

## COMMERCIAL PRODUCT

### IVDSI-2

### semi-integrated compact dishwasher

- SIZE mm** 598W x 550D x 750H + 815min (+50)H
- FINISH** stainless steel interior and control panel
- CAPACITY** 14 place settings
- FEATURES**
- 6 wash programs
  - 40 dBA
  - delay start 1–24 hours
  - third layer cutlery basket
  - height-adjustable upper basket
  - Auto wash
  - Turbo drying system
  - easy-slide cutlery baskets
  - direct injection wash system
  - dual zone alternative wash
  - rinse aid indicator
  - 1800W heat element
  - VDE inlet hose with VEE safety certificate can be used with hot water (70–90°C)
  - hot (max 90°C) or cold water connection
- POWER** 10 amp, 3-pin plug



PROGRAM	LOAD	CYCLE	DETERGENT pre/main gr	DURATION minutes	ENERGY kW/hr	WATER litres	RINSE AID
auto <i>Auto</i> AUTO	auto sensing wash — light, normal or heavily soiled dishes, with or without dried-on food	prewash 45°C autowash 50–60°C rinse/rinse 60°C drying	5/27.5 or tablet	120–170	1.1–1.4	10–13.5	✓
intensive	for heavily soiled loads, eg pots, plates, glasses and lightly soiled pans – standard daily cycle	prewash 50°C wash 65°C rinse/rinse/rinse 65°C drying	5/27.5 or tablet	150	1.4	16.5	✓
heavy	for normally soiled loads, eg plates, glasses, bowls and normally soiled pans	prewash 45°C/wash 45°C rinse/rinse 60°C drying	5/27.5 or tablet	180	1.15	13	✓
normal*	for dishes that need to be rinsed and dried only	prewash/wash 45°C rinse/rinse 50°C drying	5/27.5 or tablet	165	0.74	12.6	✓
1 hour	a shorter wash for lightly soiled loads that do not need drying	prewash 50°C/wash 60°C rinse 50°C drying	5/27.5	60	0.8	9	
rapid	for normally soiled loads, eg pots, plates, glasses and lightly soiled pans – standard daily cycle	wash 40°C rinse/rinse 45°C drying	20	40	0.5	10	

\* AS/NZS 2007.1: Test cycle program | ✓ Rinse Aid required

NB: We recommend opening door 50mm at end of wash to assist drying

EAN 9341584033192

#### DISCLAIMER

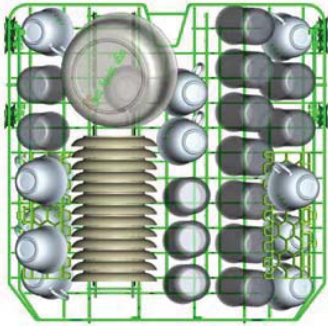
EuroInx Pty Ltd, trading as ILVE Appliances, is continually seeking ways to improve the design specifications, aesthetics and production techniques of its products. As a result alterations to our products and designs take place continually. Whilst every effort is made to produce information and literature that is up to date, this brochure should not be regarded as an infallible guide to the current specifications, nor does it constitute an offer for the sale of any particular product. Product dimensions indicated in our literature is indicative only. Actual product only should be used to define dimension cutouts. Distributors, and retailers are not agents of ILVE Appliances and are not authorized to bind ILVE Appliances by any express or implied undertaking or representation.

IL300616

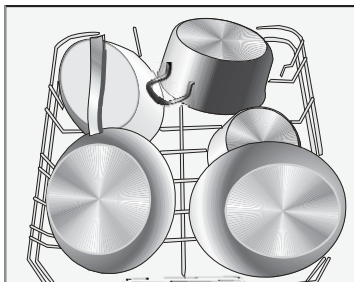
COMMERCIAL PRODUCT

IVDSI-2

semi-integrated compact dishwasher

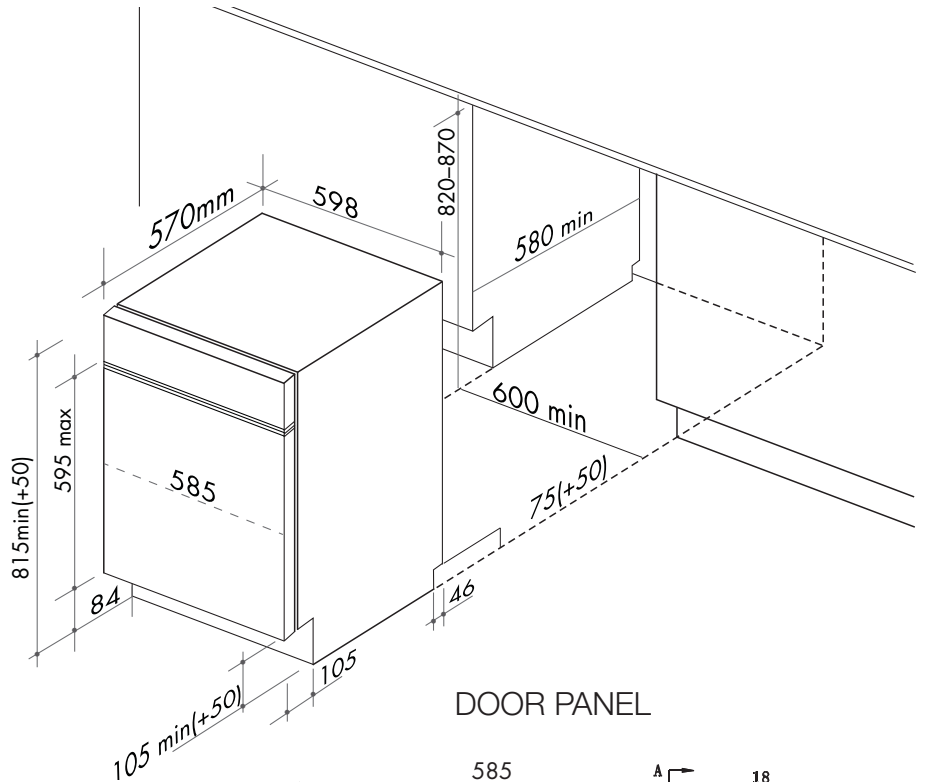


The upper basket is designed to hold more delicate and lighter dishware such as glasses, coffee and tea cups and saucers, as well as small plates and bowls and shallow pans (provided they are not too soiled).

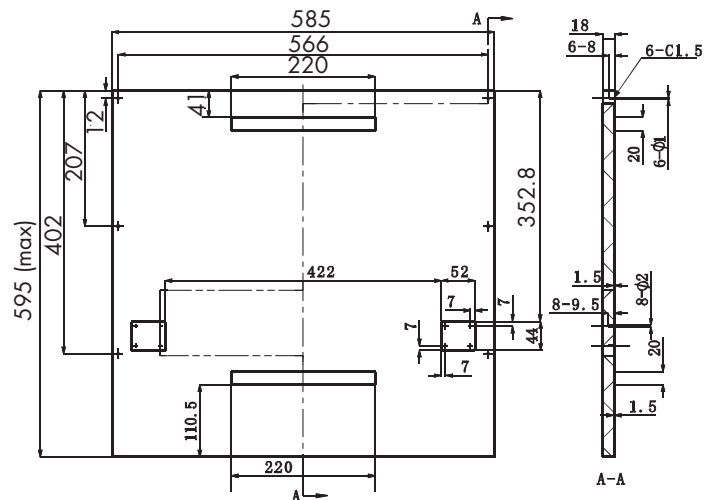


It is suggested that large items, and items that are most difficult to clean, are placed in the lower basket — eg pots, pans, lids, serving dishes etc. It is preferable to place serving dishes and lids on the side of the racks to avoid blocking rotation of the top spray arm.

NB: drawings are not to scale — they are to be used as a guide only. For detailed installation instructions, please refer to user guide.



DOOR PANEL



You can find us on:



Australia National Telephone Number 1300 MYILVE (694 583) New Zealand Telephone Number 0508 458 369  
ILVE showrooms are open daily from 9am-5pm and Saturdays 10am-4pm (WA by appointment only on Saturdays)

ilve.com.au

NSW & ACT  
(head office)

48 Moore Street  
Leichhardt  
02 8569 4699

VIC | SA

1211 Toorak Road  
CAMBERWELL  
03 9809 2155

TASMANIA

3 Pear Avenue  
DERWENT PARK 7009  
03 6272 7386

QLD

1/42 Cavendish Road  
COORPAROO  
07 3397 0850

WA | NT

10/55 Howe Street  
OSBORNE PARK  
08 9201 9188

New Zealand

PO Box 11.160  
Sockburn Christchurch  
03 344 5906