

COMMERCIAL PRODUCT

**IVDFI645-ND**

fully-integrated compact dishwasher

**SIZE mm** 590W x 500D + 18 door x 475H  
**FINISH** stainless steel interior — door panel to be fitted by builder

**CAPACITY** 6 place settings

- FEATURES**
- 7 wash programs
  - remaining and delay time indicator
  - flow metre water sensor
  - spray arms: low spray
  - delay start 1–24 hours
  - self-cleaning stainless steel micro filter
  - residual heat drying system
  - foldable bottom plate racks
  - 1200W heat element
  - PEX-1 inlet hose — flexible, resistant to scale and chlorine, does not corrode or develop pinholes
  - red LED lights
  - cold water connection

**POWER** 10 amp, 3-pin plug



PROGRAM	TYPE	CYCLE	DETERGENT pre/main gr	DURATION minutes	ENERGY kW/hr	WATER litres	RINSE AID
<b>intensive</b>	for heaviest soiled loads, eg pots, pans, casserole dishes, and dried-on food	prewash 50°C wash 70°C rinse/rinse/rinse 70°C drying	4/18	140	0.94	9.7	✓
<b>heavy</b>	for heavily soiled loads such as pots, plates, glasses and lightly soiled pans	prewash wash 60°C rinse/rinse 70°C drying	4/18	120	0.70	7.7	✓
<b>normal*</b>	for normal soiled loads such as plates, glasses, bowls and lightly soiled pans	wash 55°C rinse/rinse 55°C drying	4/18	105	0.48	8.7	✓
<b>rinse</b>	for dishes that need to be rinsed and dried only	wash 40°C rinse/rinse 70°C drying		80	0.48	4.0	✓
<b>glass</b>	for lightly soiled crockery and glass	wash 45°C rinse/rinse 60°C drying	15	70	0.48	5.8	✓
<b>rapid</b>	a shorter wash for lightly soiled loads that do not need drying	wash 40°C rinse/rinse	15	30	0.30	5.8	
<b>soak</b>	to rinse dishes that you plan to wash later that day	prewash		14	0.01	2.1	

\* AS/NZS 2007.1: Test cycle program  
✓ Rinse Aid required

EAN 9341584029638

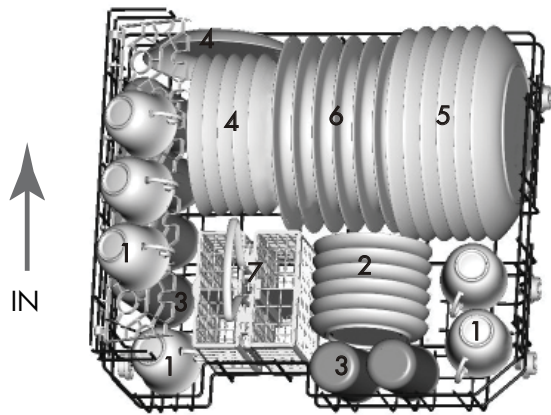
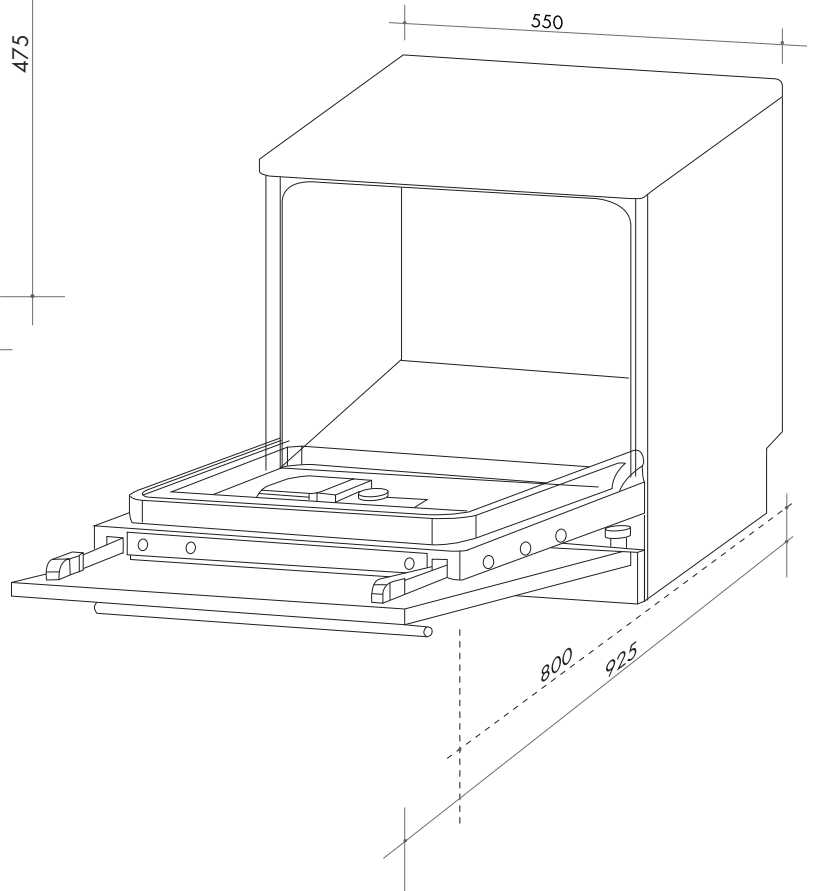
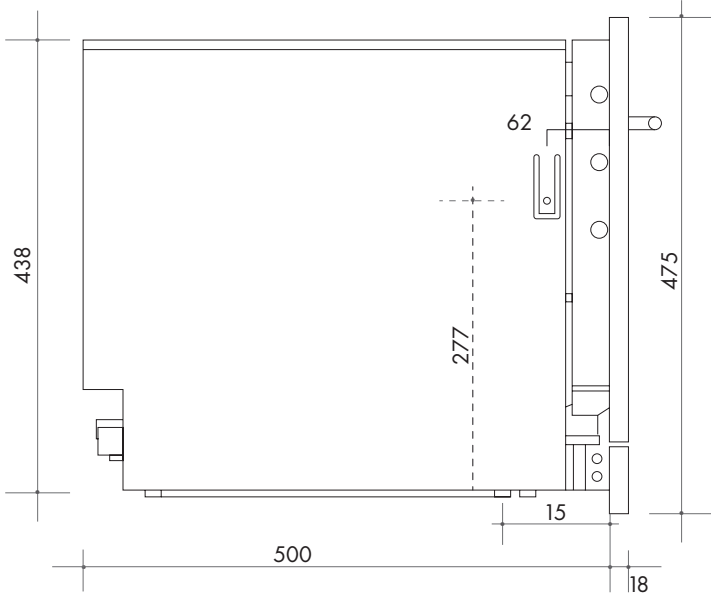
DISCLAIMER

Eurolinx Pty Ltd, trading as ILVE Appliances, is continually seeking ways to improve the design specifications, aesthetics and production techniques of its products. As a result alterations to our products and designs take place continually. Whilst every effort is made to produce information and literature that is up to date, this brochure should not be regarded as an infallible guide to the current specifications, nor does it constitute an offer for the sale of any particular product. Product dimensions indicated in our literature is indicative only. Actual product only should be used to define dimension cutouts. Distributors, and retailers are not agents of ILVE Appliances and are not authorized to bind ILVE Appliances by any express or implied undertaking or representation.

COMMERCIAL PRODUCT

IVDFI645-ND

fully-integrated compact dishwasher



- 1 cups
- 2 saucers
- 3 glasses
- 4 dessert dishes
- 5 dinner plates
- 6 soup plates
- 7 cutlery basket

NB: drawings are not to scale — they are to be used as a guide only

You can find us on:

facebook.com/ILVEappliances

twitter.com/ILVE\_appliances

youtube.com/ILVEappliances

BLOG livewithilve.com

Australia National Telephone Number 1300 MYILVE (694 583) New Zealand Telephone Number 0508 458 369  
ILVE showrooms are open daily from 9am-5pm and Saturdays 10am-4pm (WA by appointment only on Saturdays)

ilve.com.au

**NSW & ACT**  
(head office)

48 Moore Street  
Leichhardt  
02 8569 4699

**VIC | SA**

1211 Toorak Road  
CAMBERWELL  
03 9809 2155

**TASMANIA**

3 Pear Avenue  
DERWENT PARK 7009  
03 6272 7386

**QLD**

1/42 Cavendish Road  
COORPAROO  
07 3397 0850

**WA | NT**

10/55 Howe Street  
OSBORNE PARK  
08 9201 9188

**New Zealand**

PO Box 11.160  
Sockburn Christchurch  
03 344 5906