

COMMERCIAL PRODUCT

IVBIX8

60cm built-in dishwasher

SIZE mm

585W x 570D x 815H

FINISH

stainless steel interior and door panel

CAPACITY

15 place settings

FEATURES

- 8 wash programs
- 47 dBA
- delay start 1–24 hours
- third layer cutlery basket
- height-adjustable upper basket (lift-up)
- Turbo drying system
- easy-slide cutlery baskets
- collapsible racks (lower level)
- stainless steel removable filter
- alternative wash
- 'double-up' dual LED display
- 3 x water spray outlets
- easy-reel feet height adjustment
- adjustable door hinge
- tablet wash program
- VDE hose

POWER

10 amp, 3-pin plug



NB: kick panel not provided

PROGRAM	TYPE	CYCLE	DETERGENT pre/main gr	DURATION minutes	ENERGY kW/hr	WATER litres	RINSE AID
auto	auto sensing wash — light, normal or heavily soiled dishes, with or without dried-on food	prewash 45°C autowash 45–55°C rinse/rinse 65°C drying	5/28.75 (1 piece)	150	0.9–1.3	11–15	✓
intensive	for heaviest soiled loads, eg pots, pans, casserole dishes, and dried-on food	prewash 50°C wash 60°C rinse/rinse/rinse 70°C drying	5/28.75 (1 piece)	175	1.5	19	✓
heavy	for heavily soiled loads such as pots, plates, glasses and lightly soiled pans	prewash 45°C wash 55°C rinse/rinse 65°C drying	5/28.75 (1 piece)	185	1.1	15	✓
ECO ECO	for normal soiled loads such as plates, glasses, bowls and lightly soiled pans	prewash/wash 45°C rinse 45°C drying	5/28.75 (1 piece)	195	0.641	11.8	✓
glass	for lightly soiled crockery and glass	prewash/wash 40°C rinse/rinse 60°C drying	5/28.75 (1 piece)	130	0.75	15	✓
90 min	for lightly soiled loads that do not need drying	wash 65°C rinse/rinse 65°C drying	33.75g (1 piece)	90	1.15	13	✓
rapid	a shorter wash for lightly soiled loads that do not need drying	wash 45°C rinse 55°C/rinse 55°C	20g	30	0.7	12.5	
soak	to rinse dishes that you plan to wash later that day	prewash		15	0.02	4.5	

* AS/NZS 2007.1: Test cycle program

✓ Rinse Aid required

EAN 9341584036094

DISCLAIMER

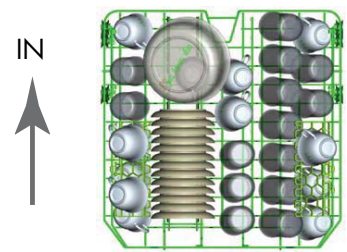
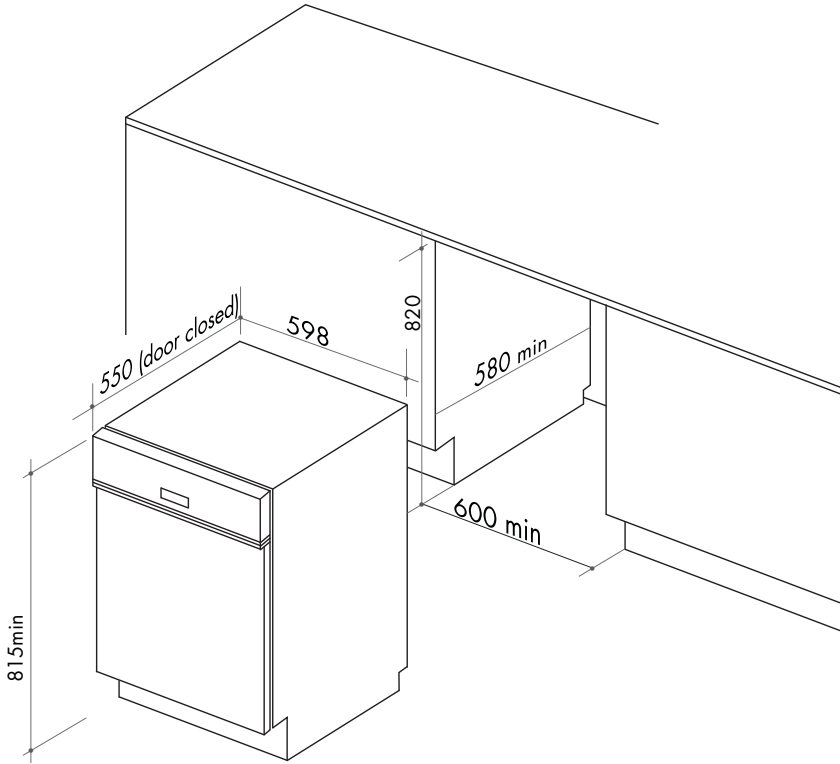
EuroInx Pty Ltd, trading as ILVE Appliances, is continually seeking ways to improve the design specifications, aesthetics and production techniques of its products. As a result alterations to our products and designs take place continually. Whilst every effort is made to produce information and literature that is up to date, this brochure should not be regarded as an infallible guide to the current specifications, nor does it constitute an offer for the sale of any particular product. Product dimensions indicated in our literature is indicative only. Actual product only should be used to define dimension cutouts. Distributors, and retailers are not agents of ILVE Appliances and are not authorized to bind ILVE Appliances by any express or implied undertaking or representation.

IL160817

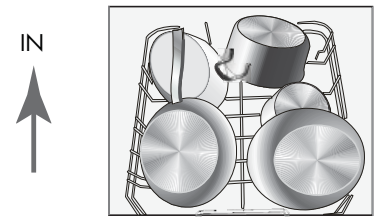
COMMERCIAL PRODUCT

IVBIX8

60cm built-in dishwasher



The upper basket is designed to hold more delicate and lighter dishware such as glasses, coffee and tea cups and saucers, as well as small plates and bowls and shallow pans (provided they are not too soiled).



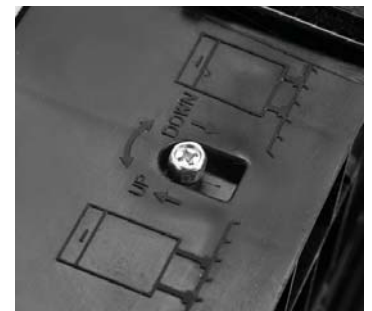
It is suggested that large items, and items that are most difficult to clean, are placed in the lower basket — eg pots, pans, lids, serving dishes etc. It is preferable to place serving dishes and lids on the side of the racks to avoid blocking rotation of the top spray arm.



door hinge



interior light



rear leg adjustment

NB: drawings are not to scale — they are to be used as a guide only. For detailed installation instructions, please refer to user guide.

You can find us on:

facebook.com/ILVEappliances

twitter.com/ILVE_appliances

youtube.com/ILVEappliances

BLOG livewithilve.com

Australia National Telephone Number 1300 MYILVE (694 583) New Zealand Telephone Number 0508 458 369
ILVE showrooms are open Tuesday to Friday from 9am-5pm and Saturdays 10am-4pm

ilve.com.au

NSW & ACT
(head office)

48 Moore Street
Leichhardt
02 8569 4699

VIC | SA

1211 Toorak Road
CAMBERWELL
03 9809 2155

TASMANIA

3 Pear Avenue
DERWENT PARK 7009
03 6272 7386

QLD

1/42 Cavendish Road
COORPAROO
07 3397 0850

WA | NT

10/55 Howe Street
OSBORNE PARK
08 9201 9188

New Zealand

PO Box 11.160
Sockburn Christchurch
03 344 5906