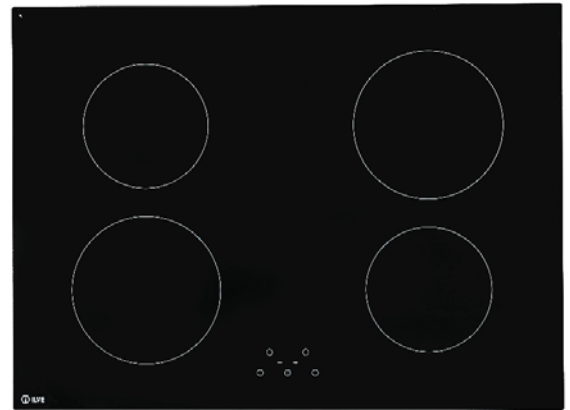


COMMERCIAL PRODUCT

INB74B 70cm induction cooktop with boost



<b>SIZE mm</b>	690W x 520D x 41H + 4mm glass CUTOUT: 560W x 490D		
<b>FINISH</b>	KeraBlack + glass with C-edges		
<b>CAPACITY</b>	position	zone	boost
	front left:	Ø200mm, 2300W	3000W
	rear left:	Ø160mm, 1400W	
	rear right:	Ø200mm, 2300W	3000W
	front right:	Ø160mm, 1400W	
<b>FEATURES</b>	<ul style="list-style-type: none"> <li>• ergonomic design</li> <li>• touch control with direct access to 9 heating levels (0-9)</li> <li>• automatic pan detection</li> <li>• 4 x timers, simultaneous use</li> <li>• red display</li> <li>• patented foam touch controls with capacitors</li> <li>• flushmount</li> <li>• 4x residual heat indicators</li> <li>• auto-stop</li> <li>• child lock</li> <li>• standby consumption &lt; 0.5W</li> <li>• fast heat-up time</li> </ul>		
<b>POWER</b>	220-240 V , 50/60 Hz 5.6kW		



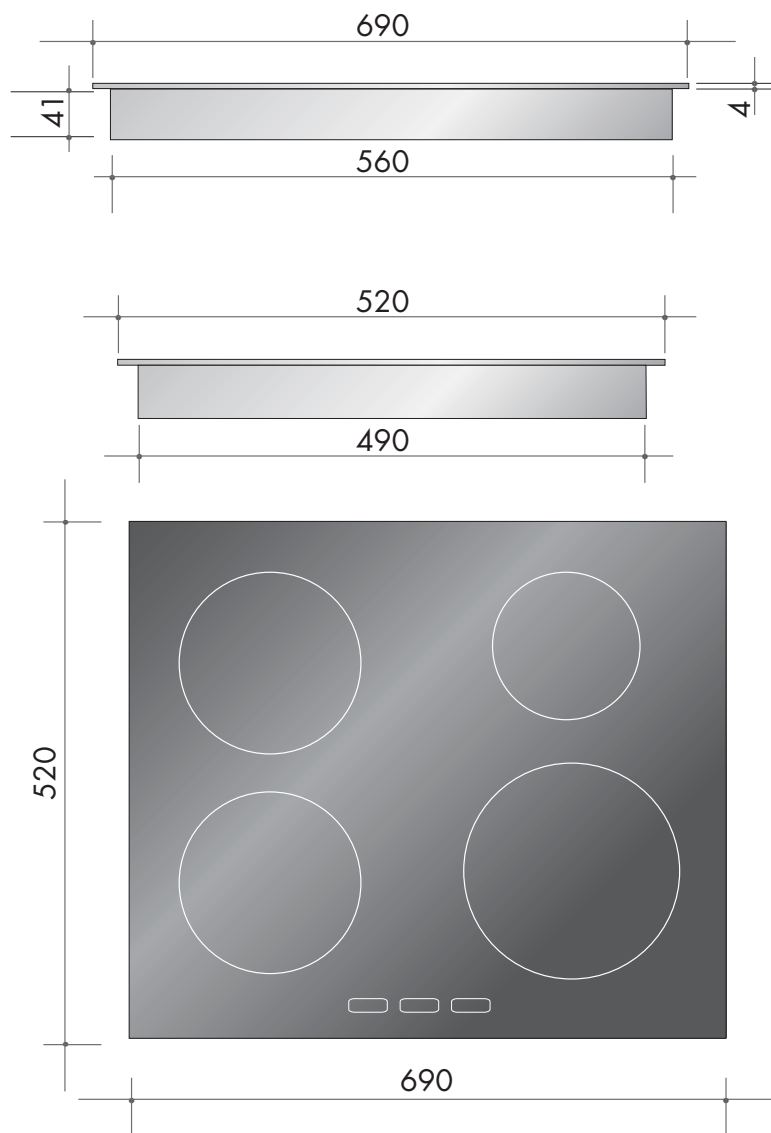
EAN 9341584033604

**DISCLAIMER**

Eurolinx Pty Ltd, trading as ILVE Appliances, is continually seeking ways to improve the design specifications, aesthetics and production techniques of its products. As a result alterations to our products and designs take place continually. Whilst every effort is made to produce information and literature that is up to date, this brochure should not be regarded as an infallible guide to the current specifications, nor does it constitute an offer for the sale of any particular product. Product dimensions indicated in our literature is indicative only. Actual product only should be used to define dimension cutouts. Distributors, and retailers are not agents of ILVE Appliances and are not authorized to bind ILVE Appliances by any express or implied undertaking or representation.

COMMERCIAL PRODUCT

INB74B 70cm induction cooktop with boost



NB: drawings are not to scale — they are to be used as a guide only

You can find us on:



facebook.com/ILVEappliances



twitter.com/ILVE\_appliances



youtube.com/ILVEappliances



livewithilve.com

Australia National Telephone Number 1300 MYILVE (694 583) New Zealand Telephone Number 0508 458 369

ILVE showrooms are open daily from 9am-5pm and Saturdays 10am-4pm (WA by appointment only on Saturdays)

ilve.com.au

**NSW & ACT (head office)**

48 Moore Street  
Leichhardt  
02 8569 4699

**VIC | TAS | SA**

1211 Toorak Road  
CAMBERWELL  
03 9809 2155

**QLD**

1/42 Cavendish Road  
COORPAROO  
07 3397 0850

**WA | NT**

10/55 Howe Street  
OSBORNE PARK  
08 9201 9188

**New Zealand**

PO Box 11.160  
Sockburn Christchurch  
03 344 5906