

COMMERCIAL PRODUCT

ILO995X

90cm built-in electric oven



- SIZE mm** 895W x 594H x 530–551D
- FINISH** stainless steel
- CAPACITY** 102 litres
- FUNCTIONS** 9 functions including Pizza and Bread
- FEATURES**
- digital display
 - touch control
 - preheat selection
 - triple-glazed door
 - ULTRA-Clean enamel interior
 - catalytic liners
 - child lock
 - tangential cooling
 - oven baking tray, metal grill tray, 2x chrome wire shelves

POWER 3.5kW/hr total electrical consumption
15 amp electrical connection, hard wired



LIVE WITH
ILVE
2 YEARS
PARTS & LABOUR
WARRANTY

EAN 9341584034137

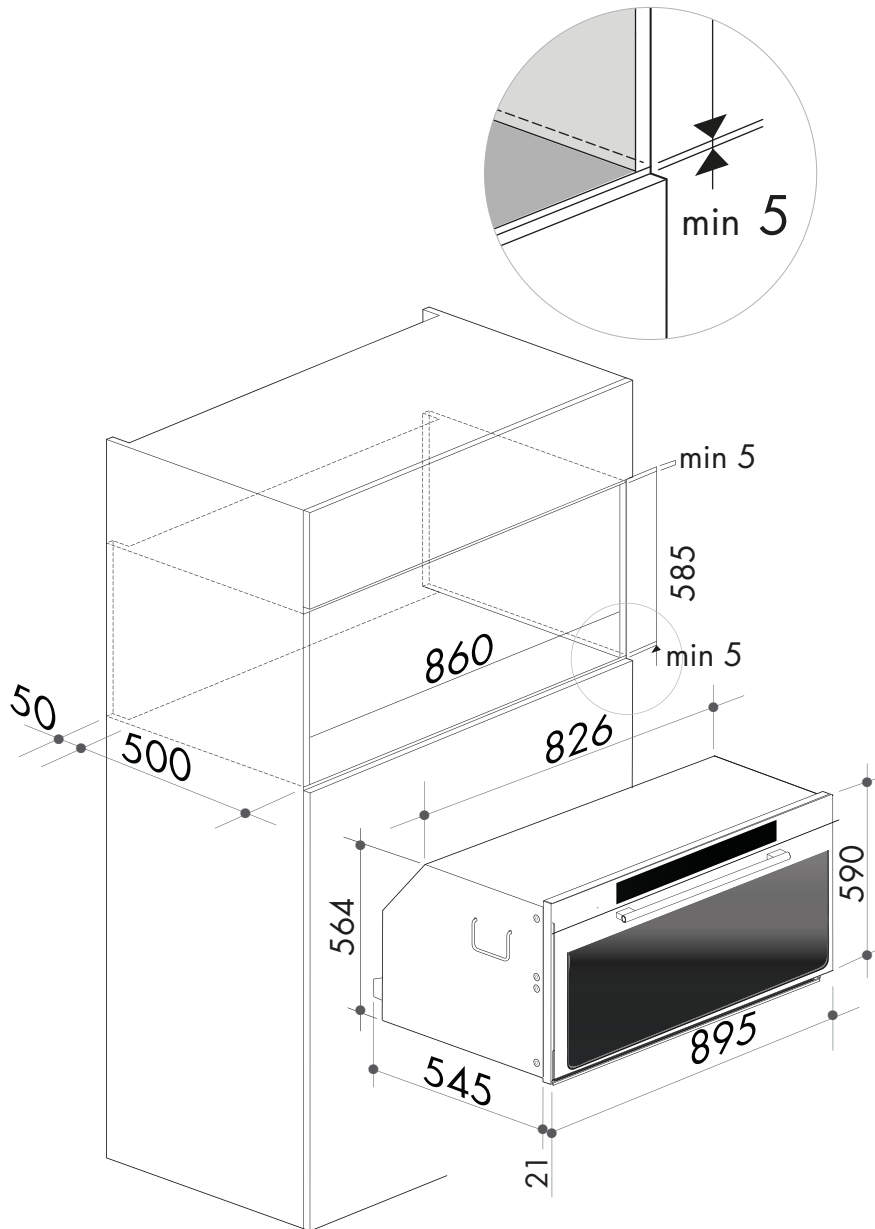
DISCLAIMER

Eurolinx Pty Ltd, trading as ILVE Appliances, is continually seeking ways to improve the design specifications, aesthetics and production techniques of its products. As a result alterations to our products and designs take place continually. Whilst every effort is made to produce information and literature that is up to date, this brochure should not be regarded as an infallible guide to the current specifications, nor does it constitute an offer for the sale of any particular product. Product dimensions indicated in our literature is indicative only. Actual product only should be used to define dimension cutouts. Distributors, and retailers are not agents of ILVE Appliances and are not authorized to bind ILVE Appliances by any express or implied undertaking or representation.

COMMERCIAL PRODUCT

ILO995X

90cm built-in electric oven



NB: drawings are not to scale — they are to be used as a guide only. For detailed installation instructions, please refer to user guide.

You can find us on:

 facebook.com/ILVEappliances

 twitter.com/ILVE_appliances

 youtube.com/ILVEappliances

 liveswithilve.com

Australia National Telephone Number 1300 MYILVE (694 583) New Zealand Telephone Number 0508 458 369
ILVE showrooms are open daily from 9am-5pm and Saturdays 10am-4pm (WA by appointment only on Saturdays)

ilve.com.au

NSW & ACT
(head office)

48 Moore Street
Leichhardt
02 8569 4699

VIC | SA

1211 Toorak Road
CAMBERWELL
03 9809 2155

TASMANIA

3 Pear Avenue
DERWENT PARK 7009
03 6272 7386

QLD

1/42 Cavendish Road
COORPAROO
07 3397 0850

WA | NT

10/55 Howe Street
OSBORNE PARK
08 9201 9188

New Zealand

PO Box 11.160
Sockburn Christchurch
03 344 5906