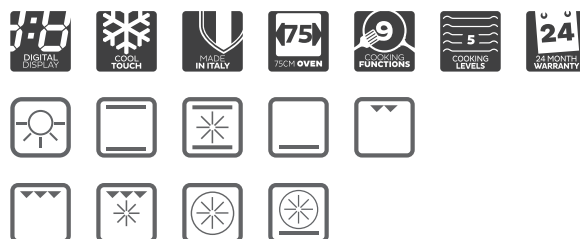


COMMERCIAL PRODUCT

ILO759X

75cm electric oven



- SIZE mm** 750W x 594H x 545D + 21mm fascia
- FINISH** AS304 stainless steel
- CAPACITY** 95 litres
- FUNCTIONS** 9 functions —  
pizza, fan forced, fan grill, static grill, half static grill, bottom element, fan assisted, convection, light
- FEATURES**
- digital timer with sensor controls
  - knob control panel
  - ULTRA-Clean interior enamel
  - AS430 stainless steel
  - 0–250°C thermostat
  - 5 cooking levels
  - tangential cooling fan
  - triple-glazed door
  - easy-clean inner glass door
  - oven baking tray, metal grill tray
- POWER** 3.5kW/hr total electrical consumption  
15 amp electrical connection, GPO/hard connection



EAN 9341584030849

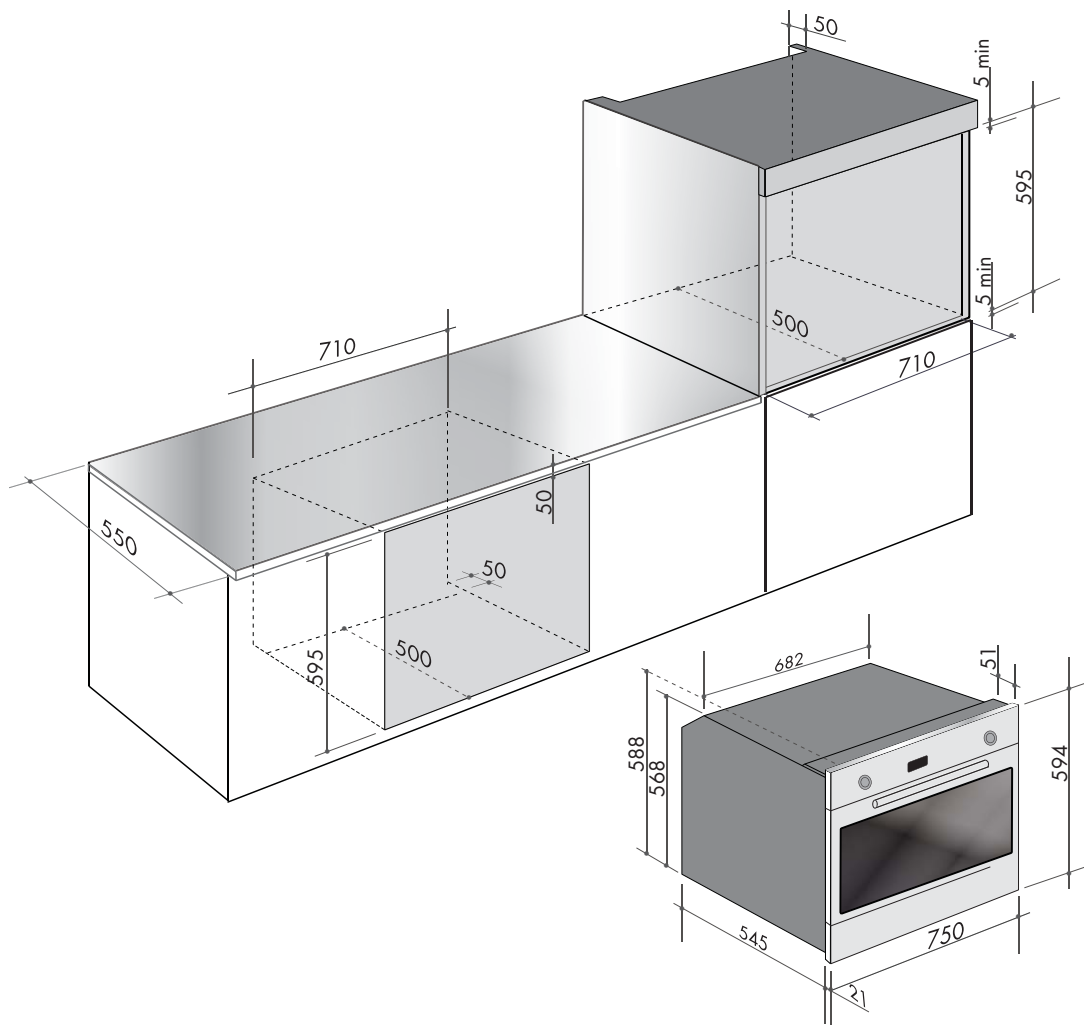
DISCLAIMER

Eurolinx Pty Ltd, trading as ILVE Appliances, is continually seeking ways to improve the design specifications, aesthetics and production techniques of its products. As a result alterations to our products and designs take place continually. Whilst every effort is made to produce information and literature that is up to date, this brochure should not be regarded as an infallible guide to the current specifications, nor does it constitute an offer for the sale of any particular product. Product dimensions indicated in our literature is indicative only. Actual product only should be used to define dimension cutouts. Distributors, and retailers are not agents of ILVE Appliances and are not authorized to bind ILVE Appliances by any express or implied undertaking or representation.

COMMERCIAL PRODUCT

ILO759X

75cm electric oven



NB: drawings are not to scale — they are to be used as a guide only.  
For complete instructions, please refer to your user manual.

You can find us on:

 [facebook.com/ILVEappliances](https://facebook.com/ILVEappliances)

 [twitter.com/ILVE\\_appliances](https://twitter.com/ILVE_appliances)

 [youtube.com/ILVEappliances](https://youtube.com/ILVEappliances)

 [livelwithilve.com](https://livelwithilve.com)

Australia National Telephone Number 1300 MYILVE (694 583) New Zealand Telephone Number 0508 458 369  
ILVE showrooms are open daily from 9am-5pm and Saturdays 10am-4pm (WA by appointment only on Saturdays)

[ilve.com.au](https://ilve.com.au)

**NSW & ACT  
(head office)**

48 Moore Street  
Leichhardt  
02 8569 4699

**VIC | SA**

1211 Toorak Road  
CAMBERWELL  
03 9809 2155

**TASMANIA**

3 Pear Avenue  
DERWENT PARK 7009  
03 6272 7386

**QLD**

1/42 Cavendish Road  
COORPAROO  
07 3397 0850

**WA | NT**

10/55 Howe Street  
OSBORNE PARK  
08 9201 9188

**New Zealand**

PO Box 11.160  
Sockburn Christchurch  
03 344 5906