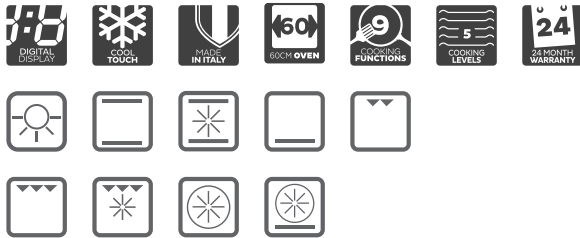


COMMERCIAL PRODUCT

ILO691BV 60cm built-in multifunction electric oven



SIZE mm	594W x 594H x 535D + 21mm fascia
FINISH	black glass
CAPACITY	65 litres
FUNCTIONS	9 functions — pizza, fan forced, fan grill, static grill, half static grill, bottom element, fan assisted, convection, light
FEATURES	<ul style="list-style-type: none"> • digital timer with sensor controls • ULTRA-clean interior enamel • AS430 stainless steel • 0–250°C thermostat • 5 cooking levels • tangential fan cooling • double-glazed glass door • easy-clean inner glass door • oven baking tray • control knobs
POWER	3.5kW/hr total electrical consumption 15 amp electrical connection, GPO/hard connection



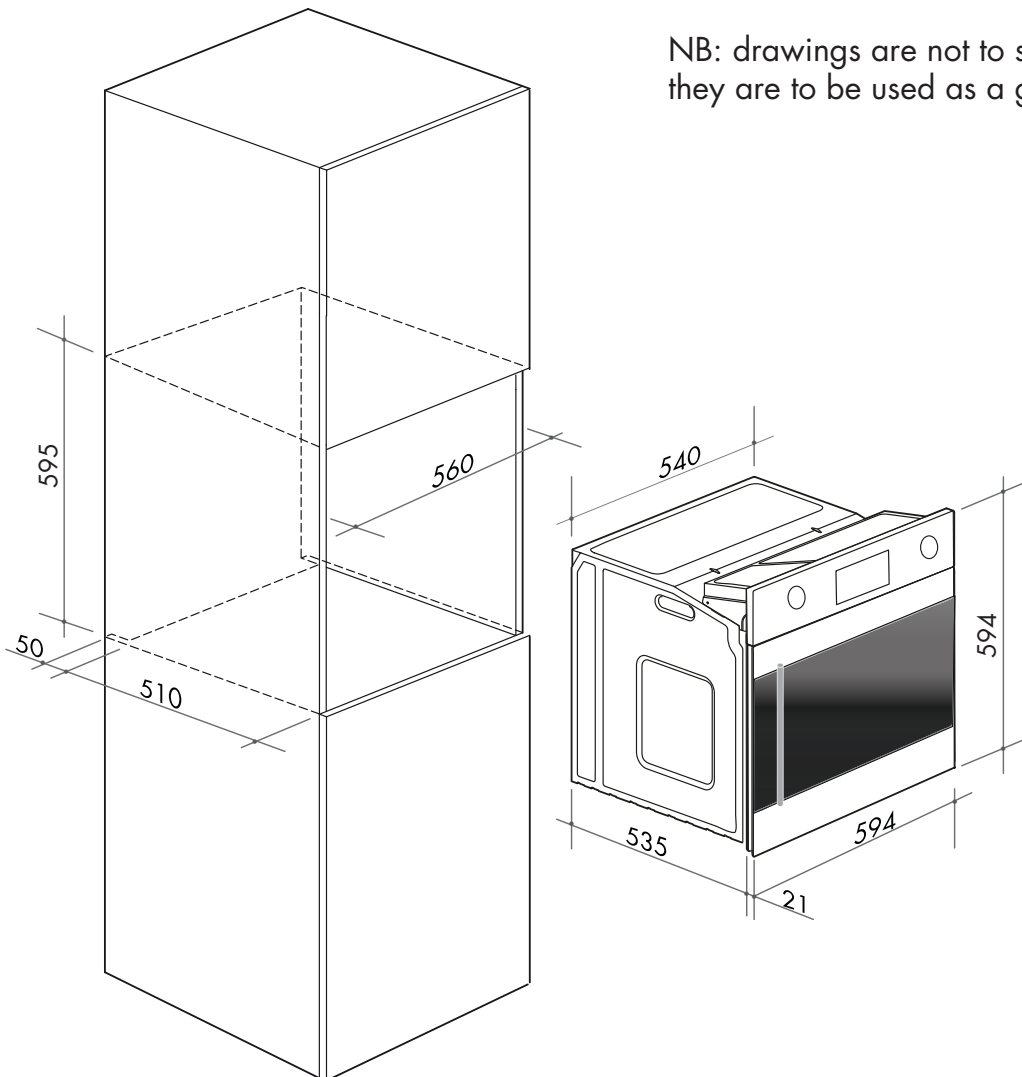
EAN 9341584033796

DISCLAIMER

Eurolinx Pty Ltd, trading as ILVE Appliances, is continually seeking ways to improve the design specifications, aesthetics and production techniques of its products. As a result alterations to our products and designs take place continually. Whilst every effort is made to produce information and literature that is up to date, this brochure should not be regarded as an infallible guide to the current specifications, nor does it constitute an offer for the sale of any particular product. Product dimensions indicated in our literature is indicative only. Actual product only should be used to define dimension cutouts. Distributors, and retailers are not agents of ILVE Appliances and are not authorized to bind ILVE Appliances by any express or implied undertaking or representation.

COMMERCIAL PRODUCT

ILO691BV 60cm built-in multifunction electric oven



NB: drawings are not to scale — they are to be used as a guide only

NSW & ACT (head office)

48 Moore Street
Leichhardt
02 8569 4699

VIC | TAS | SA

1211 Toorak Road
CAMBERWELL
03 9809 2155

QLD

1/42 Cavendish Road
COORPAROO
07 3397 0850

WA | NT

10/55 Howe Street
OSBORNE PARK
08 9201 9188

New Zealand

PO Box 11.160
Sockburn Christchurch
03 344 5906