

COMMERCIAL PRODUCT

ILGP64X 60cm gas cooktop



<b>SIZE mm</b>	560W x 510D x 50H CUTOUT: 560W X 480D
<b>FINISH</b>	single-press, seamless stainless steel
<b>CAPACITY</b>	10.3 kWh total consumption
<b>FEATURES</b>	<p>topmount</p> <p>4 gas burners —</p> <ul style="list-style-type: none"> <li>1 x auxiliary: 1.1 kWh</li> <li>1 x semi rapid: 1.8 kWh</li> <li>1 x rapid: 3.1 kWh</li> <li>1 x wok: 4.3 kWh</li> </ul> <p>side-front control knobs</p> <p>automatic electronic ignition</p> <p>cast-iron trivets</p> <p>flame failure device fitted to each burner</p> <p>ULPG adaptable</p>
<b>POWER</b>	10 amp GPO electrical connection, 3-pin plug



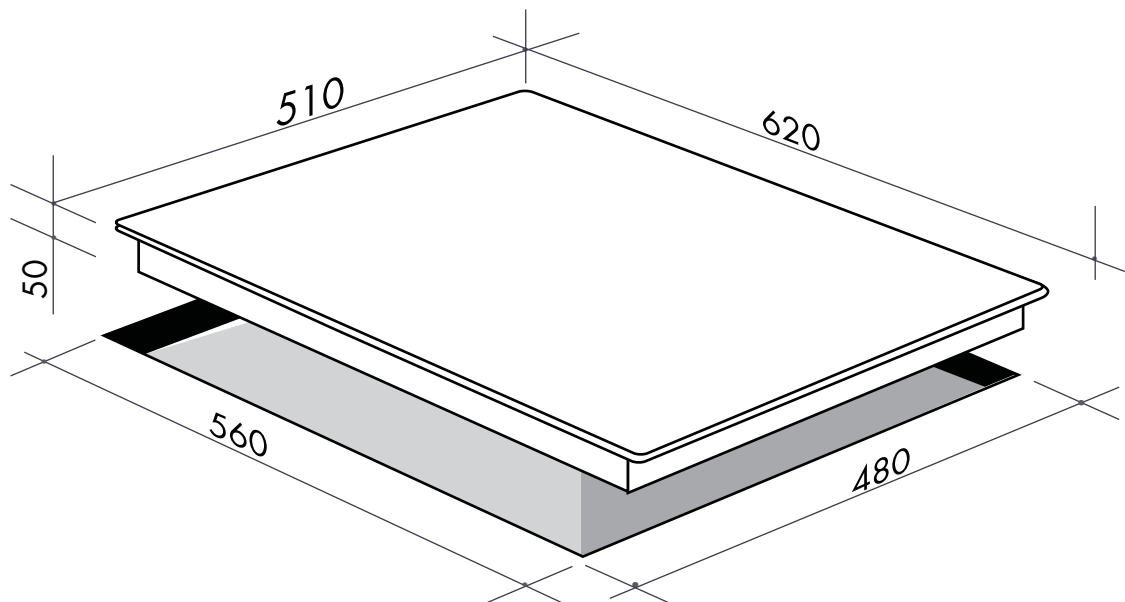
EAN 9341584030757

DISCLAIMER

Eurolinx Pty Ltd, trading as ILVE Appliances, is continually seeking ways to improve the design specifications, aesthetics and production techniques of its products. As a result alterations to our products and designs take place continually. Whilst every effort is made to produce information and literature that is up to date, this brochure should not be regarded as an infallible guide to the current specifications, nor does it constitute an offer for the sale of any particular product. Product dimensions indicated in our literature is indicative only. Actual product only should be used to define dimension cutouts. Distributors, and retailers are not agents of ILVE Appliances and are not authorized to bind ILVE Appliances by any express or implied undertaking or representation.

COMMERCIAL PRODUCT

ILGP64X 60cm gas cooktop



NB: drawings are not to scale — they are to be used as a guide only

**NSW & ACT (head office)**

48 Moore Street  
Leichhardt  
02 8569 4699

**VIC | TAS | SA**

1211 Toorak Road  
CAMBERWELL  
03 9809 2155

**QLD**

1/42 Cavendish Road  
COORPAROO  
07 3397 0850

**WA | NT**

10/55 Howe Street  
OSBORNE PARK  
08 9201 9188

**New Zealand**

PO Box 11.160  
Sockburn Christchurch  
03 344 5906