

COMMERCIAL PRODUCT

ILEM45X built-in coffee machine

ILVE's ILCM45X built-in espresso maker forms part of the ILVE compact cooking package collection. The range features the latest European styling and cooking functions, with streamlined, sophisticated styling, matched with ILVE's commitment to quality. Whichever ILVE oven you choose, each is designed to blend in perfectly with all kitchen décors and budgets. ILVE's large capacity interior caters for your everyday needs and easily fits up to four large trays of food.

SIZE mm	594W x 455H x 533+19D
FINISH	fingerprint-proof stainless steel
CAPACITY	38 litres
FEATURES	<ul style="list-style-type: none"> • automatic • heating time: 3 minutes • touch-control instrument panel • coffee-bean grinder • simultaneous, alternating, preparation of • 2 cups of espresso coffee • 2 cups of diluted coffee • steam dispenser • hot water dispenser • stand-by (energy savings)
SAFETY	<ul style="list-style-type: none"> • water-hardness setting • coffee and water top-off indicator lights • indicator that the ground coffee container • needs to be emptied • cleaning indicator light • decalcification filter indicator light
ACCESSORIES	2.5-l water tank coffee-bean container (400g) connection cable with plug
POWER	10 amps



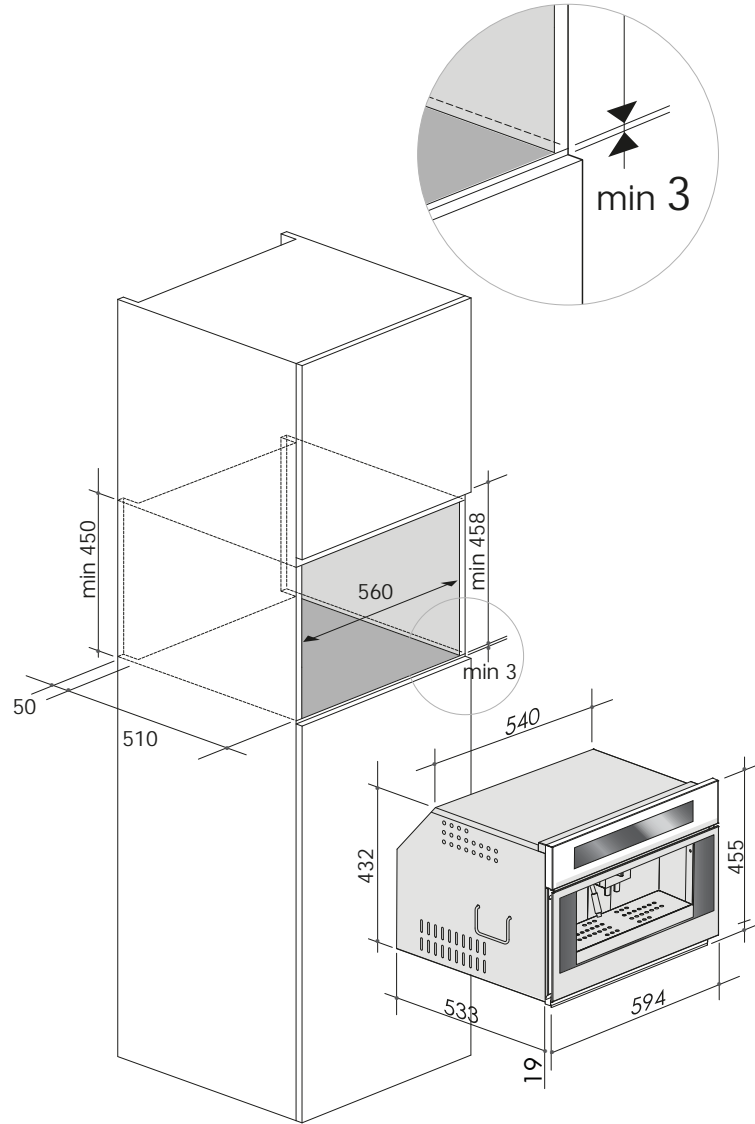
EAN 9341584033352

DISCLAIMER

Eurolinx Pty Ltd, trading as ILVE Appliances, is continually seeking ways to improve the design specifications, aesthetics and production techniques of its products. As a result alterations to our products and designs take place continually. Whilst every effort is made to produce information and literature that is up to date, this brochure should not be regarded as an infallible guide to the current specifications, nor does it constitute an offer for the sale of any particular product. Product dimensions indicated in our literature is indicative only. Actual product only should be used to define dimension cutouts. Distributors, and retailers are not agents of ILVE Appliances and are not authorized to bind ILVE Appliances by any express or implied undertaking or representation.

COMMERCIAL PRODUCT

ILEM45X built-in coffee machine




NB: drawings are not to scale — they are to be used as a guide only

You can find us on:

 facebook.com/ILVEappliances

 twitter.com/ILVE_appliances

 youtube.com/ILVEappliances

 livewithilve.com

Australia National Telephone Number 1300 MYILVE (694 583) New Zealand Telephone Number 0508 458 369
ILVE showrooms are open daily from 9am-5pm and Saturdays 10am-4pm (WA by appointment only on Saturdays)

ilve.com.au

NSW & ACT (head office)

48 Moore Street
Leichhardt
02 8569 4699

VIC | TAS | SA

1211 Toorak Road
CAMBERWELL
03 9809 2155

QLD

1/42 Cavendish Road
COORPAROO
07 3397 0850

WA | NT

10/55 Howe Street
OSBORNE PARK
08 9201 9188

New Zealand

PO Box 11.160
Sockburn Christchurch
03 344 5906