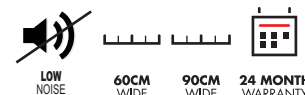


COMMERCIAL PRODUCT

CSFR60&90

60cm/90cm slideout rangehood



SIZE mm

600W or 900W
280D, extended 435
1474H

FINISH

stainless steel

CAPACITY

350m³/hr net airflow

FEATURES

- 65 dBA maximum
- maximum power consumption: 180W
- slider controls
- aluminium filter coated in stainless steel
- 2 anti-grease filters
- 3 extraction levels
- 1 x E-14 energy-saving 9@ lamp
- 120mm outlet diameter
- installation with exterior/recirculating
- easy installation system
- standard 40mm aluminium front handrail supplied; extra 70mm handrail also included for use in recirculating mode



CSFR60



CSFR90

Rangehood extraction rate m³/hr reading is measured at 1m duct up, 1x90° C bend and 1m vertical duct

EAN 60cm: 9341584035295

EAN 90cm: 9341584035301

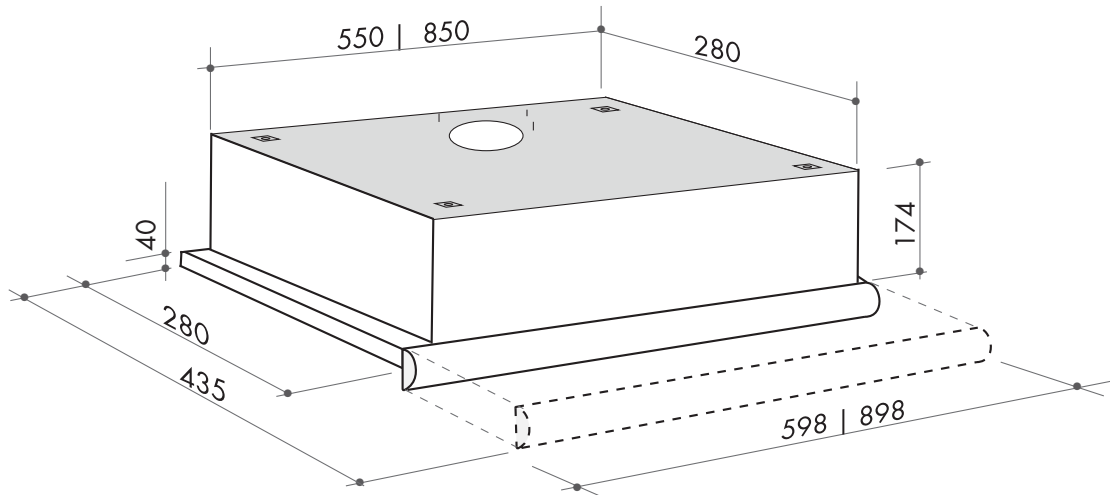
DISCLAIMER

Eurolinx Pty Ltd, trading as ILVE Appliances, is continually seeking ways to improve the design specifications, aesthetics and production techniques of its products. As a result alterations to our products and designs take place continually. Whilst every effort is made to produce information and literature that is up to date, this brochure should not be regarded as an infallible guide to the current specifications, nor does it constitute an offer for the sale of any particular product. Product dimensions indicated in our literature is indicative only. Actual product only should be used to define dimension cutouts. Distributors, and retailers are not agents of ILVE Appliances and are not authorized to bind ILVE Appliances by any express or implied undertaking or representation.

COMMERCIAL PRODUCT

CSFR60&90

60cm/90cm slideout rangehood



Standard 40mm aluminium front handrail supplied; extra 70mm handrail also included for use in recirculating mode.



Optional 60cm front rail — supplied in box



Optional 90cm front rail — supplied in box

NB: drawings are not to scale — they are to be used as a guide only.
For full installation instructions, please refer to user manual.

You can find us on:

 facebook.com/ILVEappliances

 twitter.com/ILVE_appliances

 youtube.com/ILVEappliances

 livelwithilve.com

Australia National Telephone Number 1300 MYILVE (694 583) New Zealand Telephone Number 0508 458 369

ILVE showrooms are open Tuesday to Friday from 9am-5pm and Saturdays 10am-4pm (WA by appointment only on Saturdays)

ilve.com.au

NSW & ACT
(head office)

48 Moore Street
Leichhardt
02 8569 4699

VIC | SA

1211 Toorak Road
CAMBERWELL
03 9809 2155

TASMANIA

3 Pear Avenue
DERWENT PARK 7009
03 6272 7386

QLD

1/42 Cavendish Road
COORPAROO
07 3397 0850

WA | NT

10/55 Howe Street
OSBORNE PARK
08 9201 9188

New Zealand

PO Box 11.160
Sockburn Christchurch
03 344 5913